

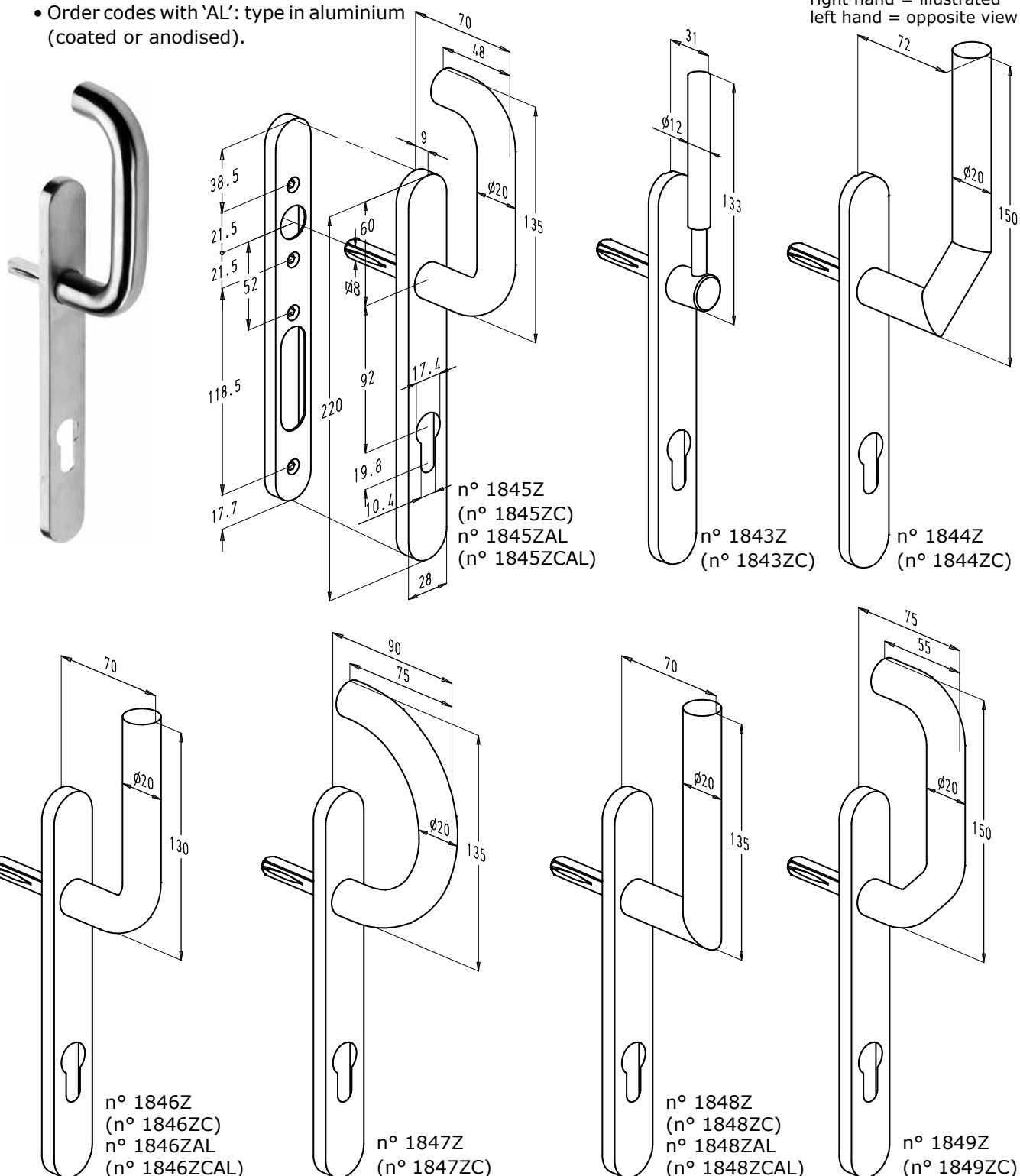


SOBINOX DOOR HANDLES FOR PENTA-LOCK

# 1. Sobinox door handles

## 1.1. General characteristics

- The Sobinox door handles are manufactured from high-grade stainless steel AISI 304 (satin finish).
- The door handles are not provided with an integrated spring (Z).
- These door handles can be used in many different sectors due to their aesthetic, practical, maintenance friendly and hygienic properties: e.g. private houses, hospitals, catering, industry, ...
- The door handles are also available without cylinder hole (C).
- Order codes with 'AL': type in aluminium (coated or anodised).












## SOBINOX DOOR HANDLES FOR PENTA-LOCK

**1.2. Square spindles V48-...**

- The square spindle in steel zinc plated must be ordered separately.
- The square spindles are also available in large scalement package (G) per 50 pieces.
- Order table:

Type of grip	Order code		Spindle length	Section depth
	Per piece	Large scalement package		
	V48-90	GV48-90	90	See note 1
	V48-115	GV48-115	115	
	V48-125	GV48-125	125	
	V48-135	GV48-135	135	
	V48-140	GV48-140	140	
	V48-150	GV48-150	150	
	V48-160	GV48-160	160	
	V48-170	GV48-170	170	
	V48-90 V48-115 V48-125 V48-135 V48-140 V48-150 V48-160 V48-170	GV48-90 GV48-115 GV48-125 GV48-135 GV48-140 GV48-150 GV48-160 GV48-170	90 115 125 135 140 150 160 170	25-45 mm 45-65 mm 55-75 mm 65-85 mm 70-90 mm 80-100 mm 90-110 mm 100-120 mm
				
				
				
				
				

## Notes:

1) For the determination of the spindle length when using the roller shutter handle n° 1843Z(C), the following formula can be applied:  $L = P + 30 \pm 2\text{mm}$  with:

- L = spindle length
- P = section depth

2) The square spindles are fixed with a grub screw in the spindle slot. At least 1 grub screw must engage in the spindle slot when there's a handle on both sides of the sliding door.



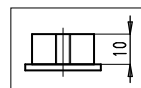
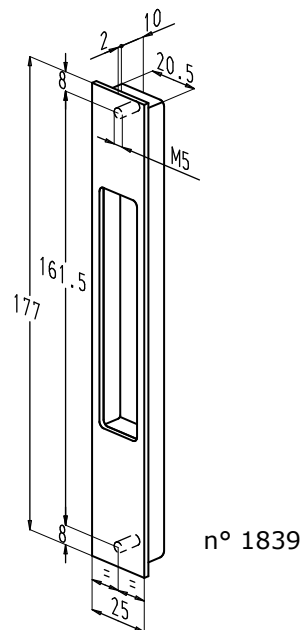
## SOBINOX DOOR HANDLES FOR PENTA-LOCK

### 1.3. Fixed door handles

- General characteristics: see page L13.10.01.
- Types:
  - ZF-version: fixed door handle with cylinder hole
  - ZFC-version: fixed door handle without cylinder hole
- Order code examples:
  - n° 1845ZF
  - n° 1848ZFC

### 1.4. Finger pull n° 1839

- The fixed finger pull is used in combination with the Sobinox Penta-Lock door handles. The finger pull is non-handed.
- Material:
  - faceplate: stainless steel
  - grip: aluminium with 'stainless steel look' finish.



#### Profile preparations

