

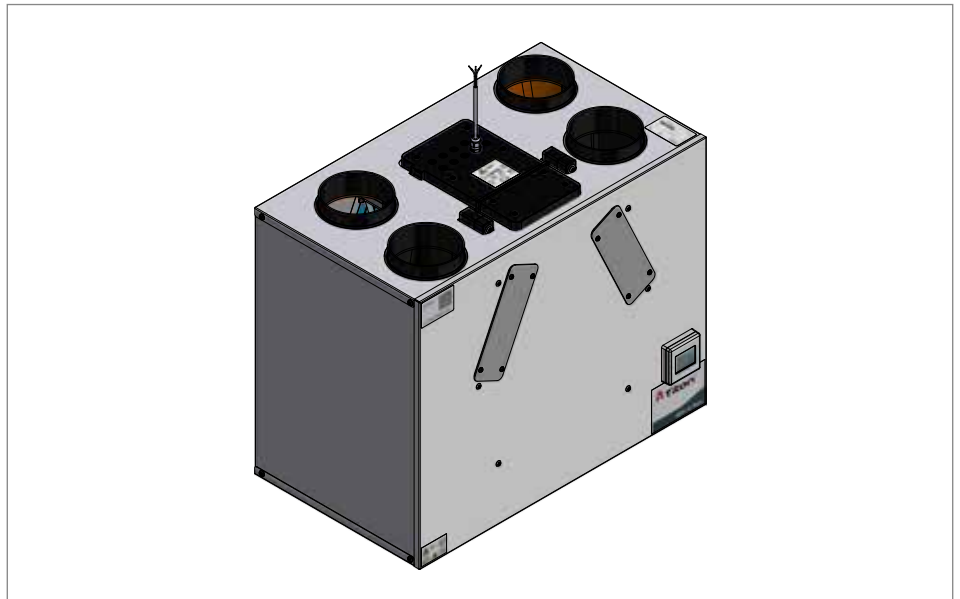
## EU DECLARATION OF CONFORMITY

---

Product HRV10.25M *Q Plus* Eco HMB  
Part Number TP443HMB-544-T  
Manufacturer Titon Hardware Limited  
Address 894 The Crescent, Colchester Business Park, Colchester, Essex, CO4 9YQ, UK.

This declaration of conformity is issued under the sole responsibility of the manufacturer.

Product Type Mechanical Heat Recovery Ventilation Unit



This object of the declaration described above is in conformity with the relevant legislation:

**Harmonised Legislation:**

1253/2014 Ecodesign  
1254/2014 Energy Labelling  
2014/35/EU Low Voltage  
2014/30/EU Electromagnetic Compatibility  
2012/19/EU Waste Electrical and Electronic Equipment  
2011/65/EU RoHS

**Harmonised Standards:**

BS EN 13141-6  
BS EN 55014-1  
BS EN 55014-2  
BS EN 60335-1  
BS EN 60335-2-80  
BS EN 61000-3-2  
BS EN 61000-3-3  
BS EN IEC 63000

Signed for and on the behalf of: Titon Hardware Limited  
894 The Crescent, Colchester Business Park, Colchester, Essex, CO4 9YQ, UK.

Date: 16th December 2022



Alexandra French  
Chief Executive



Paul Tarling  
Operations Director



Paul S Cowell BEng (Hons) CEng MCIBSE  
Technical Director