

CME2.1 Q Plus

Continuous Mechanical Extract

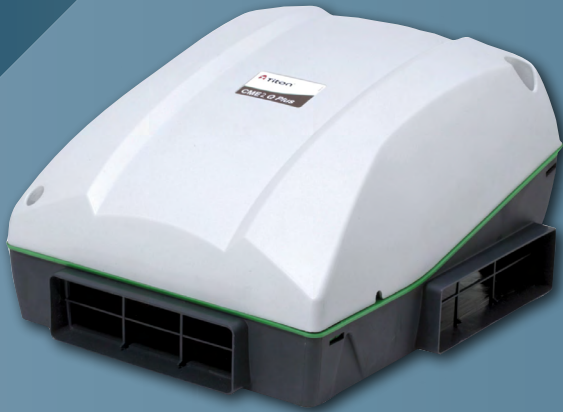
For use in dwellings with six wet rooms or fewer

The CME2.1 Q Plus is ideal for continuous extract of stale, damp and polluted air to the outside environment.

The combination of aesthetic smooth lines, unique tilted impeller and single level ports provides the ideal solution for hidden ceiling installation in flats and apartments.

The unit has a very large duty range over 113 l/s (405 m³/hr) at 200 Pa.

MEV



For use with Titon Trickle Ventilators.

auralite CME



Features & Benefits

- High energy efficiency levels, via Electronically Commutated (EC) motor
- Very low power consumption/specific fan power
- Airflow up to 123 l/s (445 m³/h) at 100 Pa
- Compact – unit is small and low in profile, can be fitted in airing cupboards, cupboards or loft spaces
- Easy installation due to innovative sub-assembly and unique packaging design
- Optional two part installation
- Performs to high levels through rectangular ports; does away with need for round to rectangular adaptors, saving cost, reducing joints and installation time
- Optional adjustable humidity sensor (between 55% RH & 85% RH) triggers boost speed proportionally
- Duct ports on one level, lessening need for unnecessary bends in ducting, saving cost, reducing joints and installation time
- Ideal for central mechanical ventilation in refurbishment of single floor dwellings where there is only space for rectangular ducting
- Low unit noise
- Fully adjustable boost overrun timer 0-30 minutes
- Can accept either 204mm x 60mm (standard) or 110mm x 54mm ducting (using provided converter)
- Unit can be cleaned and serviced without disturbing ducting
- Original enclosure design with 204mm x 60mm spigots on one level, ideal for low profile ceiling mounting
- For use in conjunction with Titon trickle vents
- Available in volt free and switch live inputs
- Hidden fixings
- Quick and easy commissioning
- Demand control ventilation ready
- Wide duty range
- Patent applied
- Can be mounted on any plane



Description

Titon CME2.1 Q Plus whole-house central mechanical extract ventilation unit.

Product Codes

TP325 - CME base only (First fix).

Volt free switch inputs

TP312A - CME 2.1 Q Plus (Full assembly).

TP312HA - CME 2.1 Q Plus, humidity sensor (Full assembly).

TP313A - CME 2.1 Q Plus (Second fix).

TP313HA - CME 2.1 Q Plus, humidity sensor (Second fix).

Switch live inputs

TP312HALS - CME 2.1 Q Plus, humidity sensor, switch live inputs (Full assembly).

TP313HALS - CME 2.1 Q Plus, humidity sensor, switch live inputs (Second fix).

Indicator Ready (auralite® CME TP517)

TP312CH - CME 2.1 Q Plus, humidity sensor, controls ready (Full assembly).

TP313CH - CME 2.1 Q Plus, humidity sensor, controls ready (Second fix).

Standards

Conforms to requirements of UK statutory Building Regulations and Technical Standards for Ventilation and BRE 398.

SAP Appendix Q tested.

Exceeds requirements of Building Regulations Approved Document L (England & Wales).

EU RoHS Directive compliant.

Conforms to requirements of EC council directives relating to Electromagnetic Compatibility and Electrical Safety:

2006/95/EC (LVD), 2004/108/EC (EMC) EN 60335-1:2002/A2:2006, EN 60335-2-80:2003, A1:2004.

CE and UKCA marked.

Other non-UK info available on request.

Specification

Dimensions (excluding ports):

355mm wide x 421mm long x 252mm high

Weight: 5kg

Finish: Light grey / dark grey

Materials:

Housing: Talc Filled Polypropylene

Guarantee period: 3 years (UK only)

Electrical: 230V ~ 50/60Hz, 3A fuse

Installation: Install in accordance with regulatory requirements, such as the Ventilation: Approved Document F and the Residential Ventilation Association recommendations.

Maintenance: See product manual.

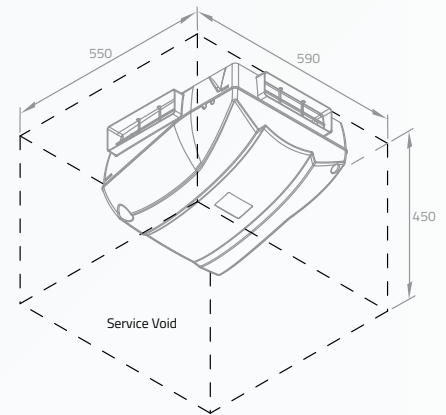
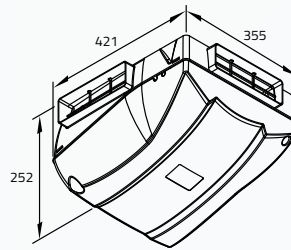
Acoustics: Full acoustic data available online www.titon.com/acoustics.

Acoustic Data

Product	Airflow l/s	% of Max flow	dB(A) @ 3m Hemispherical		dB(A) @ 3m Spherical
			Induct Inlet	Casing Breakout	Casing Breakout
CME2.1 Q Plus	36l/s	41%	19	25	22
	60l/s	68%	31	38	35
	88l/s	100%	40	47	44

For full frequency acoustic data at various speeds please see www.titon.com. All acoustic data is third party tested at Sound Research Laboratories (SRL) Ltd.

Drawing & Dimensions



Dimensions (excluding ports)

Dimensions in mm

Performance

The figures and compliance levels below relate to current SAP requirements. Revised SAP guidance will have an effect on performance and up-to-date figures can be found on the relevant product page at www.titon.com.

Exhaust terminal configuration*	Fan speed setting	SFP (W/l/s)	SFP (W/l/s)
		2009	2012
Kitchen + 1 additional wet room	100% variable	0.20	0.20
Kitchen + 2 additional wet rooms	100% variable	0.18	0.18
Kitchen + 3 additional wet rooms	100% variable	0.20	0.20
Kitchen + 4 additional wet rooms	100% variable	0.22	0.22
Kitchen + 5 additional wet rooms	100% variable	0.28	0.28
Kitchen + 6 additional wet rooms	100% variable	0.33	0.33

Figures taken from the BRE Test Results apply for both the standard and humidity versions.

*Number of wet rooms is based on SAP Q test criteria and does not correlate directly with regulatory performance requirements. Test results available for use with 110 x 54mm ducting.

Nominal Fan Performance

