

Asterion II 3-Star Cylinder

High security profile cylinders

Suitable for:

- PVCu 
- ALUMINIUM 
- TIMBER 
- COMPOSITE 

The Asterion II 3-Star high security anti-manipulation profile cylinder has been designed to protect against ever improving security threats and to aid fabrication.

The upgraded cylinder has enhanced its attack resistance by upgrading the locking pin material and is designed to withstand 5 types of attack: Anti drill, Anti pick, Anti bump, Anti snap, Anti screw and plug retraction.

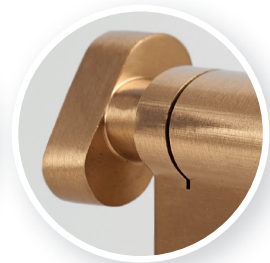
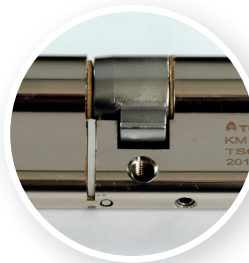
A new cam restraining feature reduces the risk of separation during an attack and an added strengthened support to the sacrificial slot provides stability during fabrication and transit.

Asterion II is Kitemarked to TS007 3-Star rating, tested to BS EN 1303:2015 and has been awarded Secured by Design (SBD) status.



Features and Benefits

- Kitemarked to TS007 3-Star rating
- Designed to attain PAS 24 with standard handles
- Secured by Design police preferred specification product
- Tested to BS EN 1303:2015
- Reduced vulnerability of door lock manipulation
- Supplied with five keys as standard*
- Strengthened support to sacrificial slot adding stability during fabrication and transit
- 250,000 key combinations
- Upgraded locking pin material improving attack resistance
- Benefit of an reset mechanism reducing chances of lock-outs
- New cam restraining feature reducing the risk of separation during an attack
- Available in sizes nominal 74mm to 120mm
- New packaging, no plastic content
- Available options:
 - Double cylinder
 - Cylinder and turn
 - Keyed alike pairs
 - Special key alike variants*
- Satin Nickel or Satin Brass finish
- BSI Kitemark number 631878



KM 631878
 BS EN 1303:2005

Manufactured from

Brass & stainless steel
Hardened steel anti drill pins

Recommended screws

M5 x 45mm machine screws supplied

Standards

BS EN 1303:2015 and TS007 3-Star rating

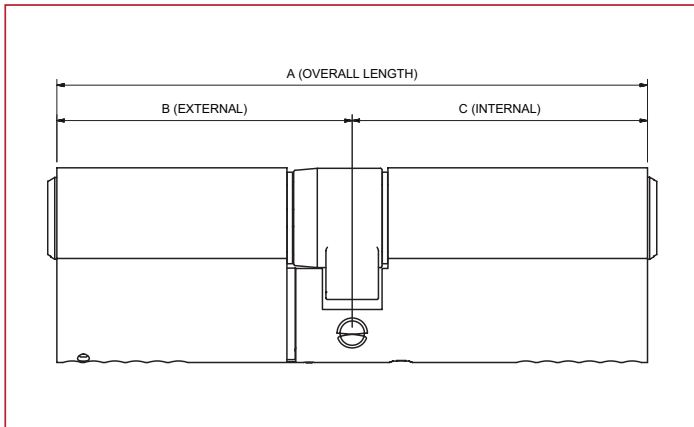
Finishes

Satin nickel plate or satin brass

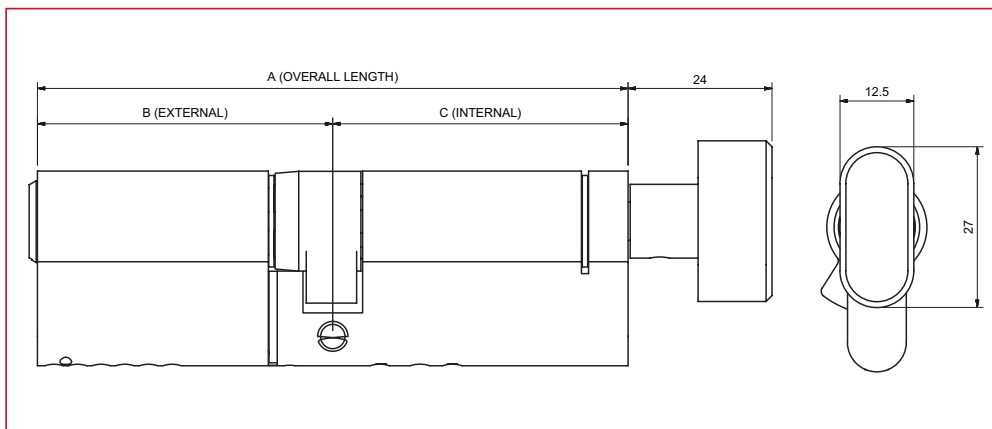
*Special key alike variants come with one key per cylinder as standard (additional keys can be purchased). Only available with satin nickel body with satin brass barrels and thumb turn

More information

enquiries@titon.com / 01206 713801



Asterion II double cylinder



Asterion II cylinder and turn