

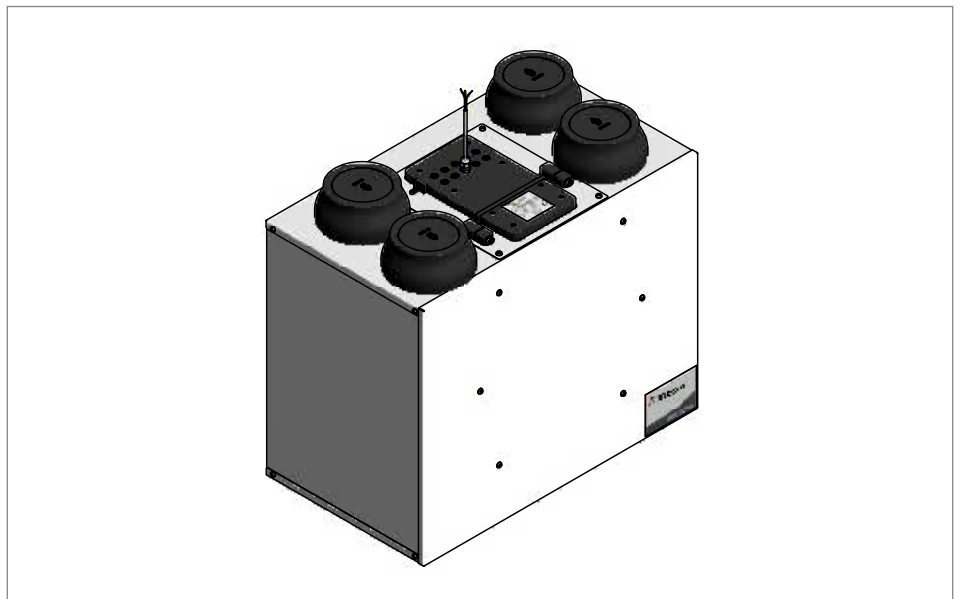
## DECLARATION OF CONFORMITY

---

Product HRV10M Q Plus EcoAura  
Part Number TP481B-544  
Manufacturer Titon Hardware Limited  
Address 894 The Crescent, Colchester Business Park, Colchester, Essex, CO4 9YQ, UK.

This declaration of conformity is issued under the sole responsibility of the manufacturer.

Product Type Mechanical Heat Recovery Ventilation Unit



This object of the declaration described above is in conformity with the relevant legislation:

**Legislation:**

SI 2015/469 Ecodesign  
SI 2016/1101 Electrical Equipment (Safety)  
SI 2016/1091 Electromagnetic Compatibility  
Waste Electrical and Electronic Equipment  
SI 2012/3032 Restriction of the Use of Certain Hazardous Substances

**Standards:**

BS EN 13141-6  
BS EN 55014-1  
BS EN 55014-2  
BS EN 60335-1  
BS EN 60335-2-80  
BS EN 61000-3-2  
BS EN 61000-3-3  
BS EN IEC 63000

Signed for and on the behalf of: Titon Hardware Limited  
894 The Crescent, Colchester Business Park, Colchester, Essex, CO4 9YQ, UK.

Date: 16th December 2022



Alexandra French  
Chief Executive



Paul Tarling  
Operations Director



Paul S Cowell BEng (Hons) CEng MCIBSE  
Technical Director