

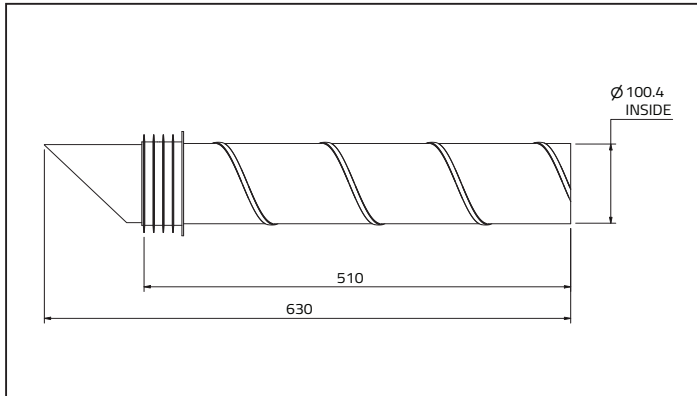
Titon FireSafe® - 100mm Push Through Wall Kit (TA425)

Fitting Instructions

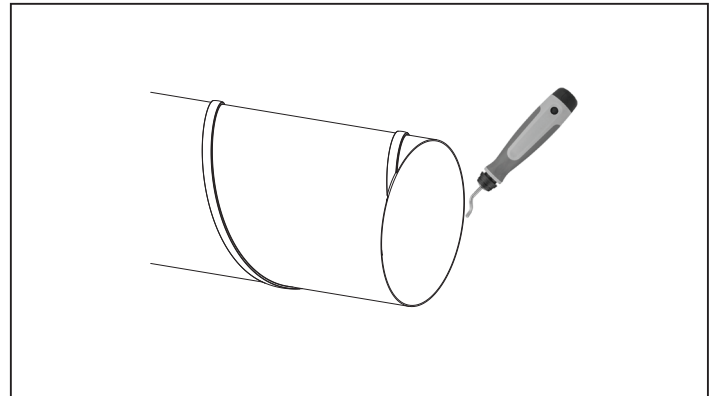
The Titon FireSafe® - 100mm Push Through Wall Kit can be used with Titon's dMEV and CME *Q Plus* ranges. The product is designed for refurbishment of none fire rate wall kits and for new builds.

The Titon FireSafe® - 100mm Push Through Wall Kit comes in one size.

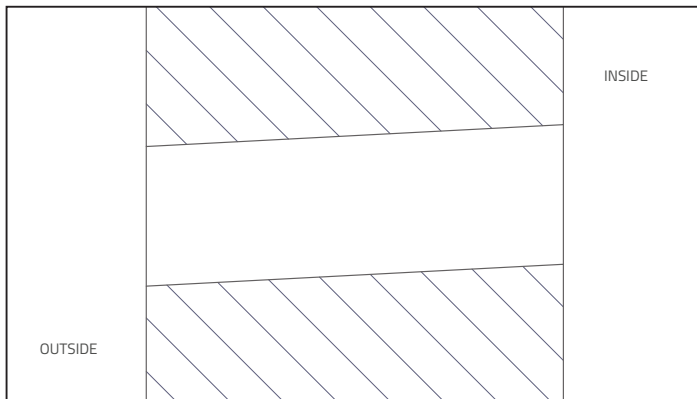
TA425 - Titon FireSafe® - 100mm Push Through Wall Kit



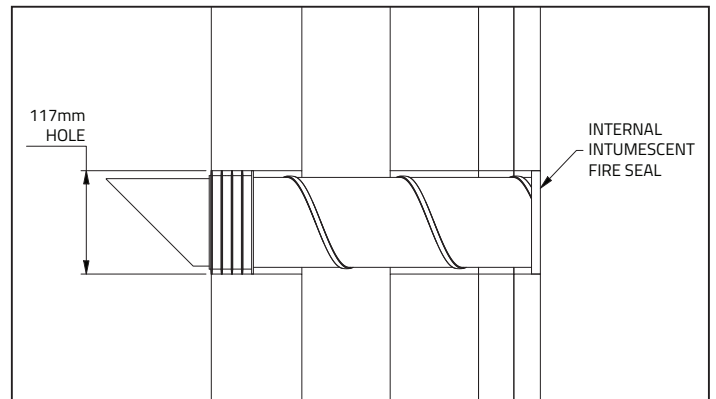
The unit is designed for a wall thickness of up to 510mm and in a 117mm hole.



It can be cut down to suit reduced wall thicknesses and if cut to length, ensure to deburr inside edge.



Hole in wall needs to slope away from inside the dwelling to outside.



To fit the unit, push into the hole in the wall from inside the dwelling until rubber seal is in position as shown in image above. Ensure to use internal intumescent fire seal to seal between the metal ducting and internal wall.