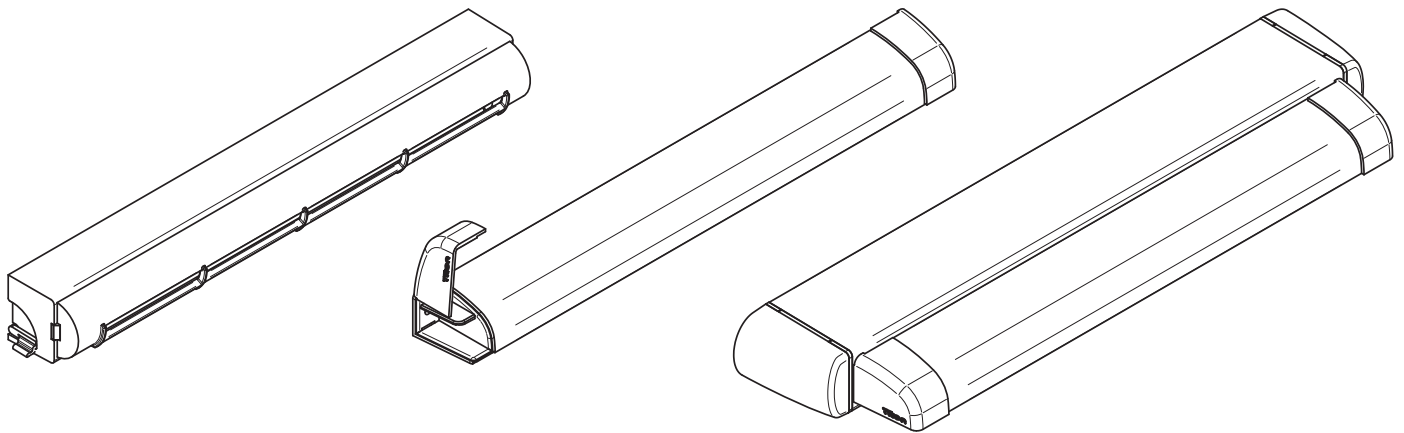
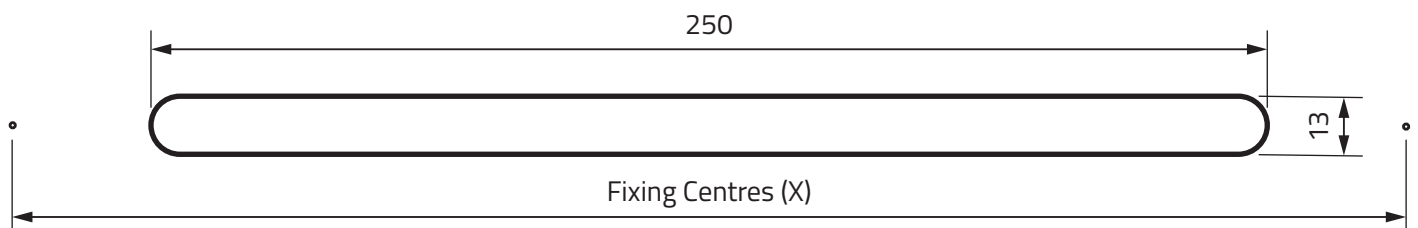


Product Identification


Active Vent

Standard Canopy

Acoustic Canopy, (Acoustic Canopy 50mm shown)

Slot Dimensions mm

Slots Preparation

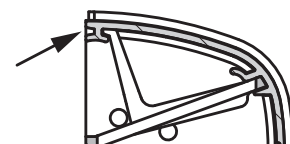
1. For the Vent and either Canopy prepare the slot as above. Avoiding the glazing rebate and any reinforcement.
2. Pre-drill fixing holes on the same centre line as the slot; see table below for Fixing Centres.

Product Name	Part Number	Length mm	Width mm	Projection mm	Fixing Centres (X) mm	Recommended Fixing Screws
Ultimate Active Vent	TA 9521	288	35	43	270	Ø4 (No. 8) Countersunk Head
Standard Canopy	TA 6057	305	24	36.5	286.5	Ø3.5 (No. 6) Pan Head
Acoustic Canopy 25mm	TA 5252	350.5	35	63.5	322	Ø4 (No. 8) Pan Head
Acoustic Canopy 50mm	TA 5254			88.5		
Acoustic Canopy 75mm	TA 5256			113.5		

When Fitting DO NOT USE Power Tools or over tighten Screws

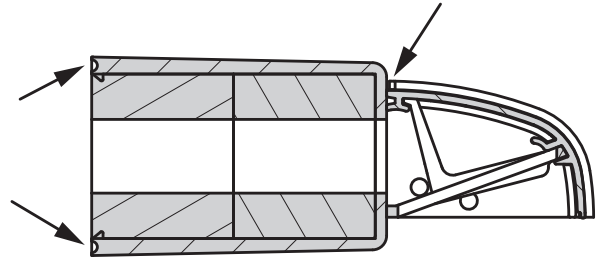
Standard Canopy Fixing

1. To fix the Standard Canopy open the Screw Covers on the end caps by un-clipping and opening the hinged flap/screwcover.
2. Screw to the window section with the specified screws, snap the screw covers closed.
3. Titon recommend the use of silicone sealant along the sealant groove.

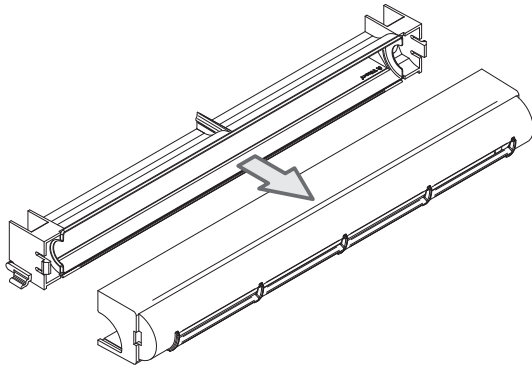


Acoustic Canopy Fixing

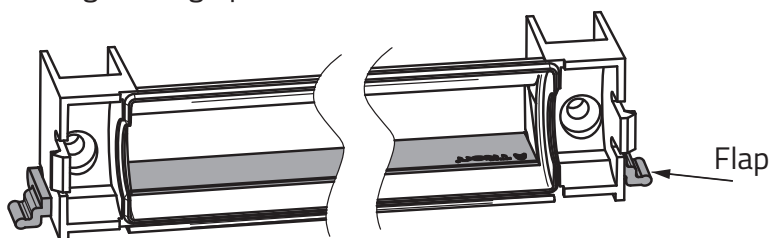
1. When fitting the Acoustic Canopy apply silicone sealant to the sealant grooves and the top edge of the Canopy.
2. Fix over the slot using the specified screws. When fitting to uPVC screws should go through at least two walls of the section or into reinforcement.
3. Attach Screw Covers, use care when fitting covers as they are designed to resist easy removal.
4. End Caps must be silicone sealed to the body to ensure acoustic performance is achieved.


Ultimate Active Vent Fixing

1. Unclip the front cover of the Vent, release clips are located at the end of the vent.



2. Fix the body of the vent to the window section using screws specified. Ensure body is the correct orientation (flap at the bottom), and the flap is in the open position with the smooth face and logo facing upwards.



3. Ensuring the metal vane is in position and rotating freely, reattach the front cover with the grille at the bottom.

