

Titon Ultimate® Active Vent

for effortless indoor air control

For use in residential dwellings and light commercial applications

Introducing the Titon Ultimate® Active Vent – the ultimate solution for effortless indoor air comfort control.

The Titon Ultimate® Active Vent provides unparalleled comfort and ventilation with its automatic exhaust aperture adjustment, high rotational sensitivity, and responsive low airflow control. Its unique design balances air pressures, preventing impact noise and adverse effects from high wind pressure, ensuring a peaceful indoor environment.



Features & Benefits

- The Titon Ultimate Active Vent maintains the required airflow with increased external wind pressure
- Highly sensitive to pressure changes.
- Ensures indoor air comfort by minimising any chill factor due to high wind pressure
- Provides an Equivalent Area (EA) of 2000mm²
- For use with Titon's High Flow Canopy
- Range of acoustic canopy solutions available
- Can be installed alongside intermittent, decentralised and centralised extract fans
- Easy screw-screw installation
- Designed to work in conjunction with the energy efficient constant flow Titon Ultimate® dMEV
- Manual shut off
- Patented design

Manufactured from

Active Vent – ABS, Acetal & Alum

Canopy – PP & Alum

Recommended screws

3.5mm (No.6) Pan Head or equivalent

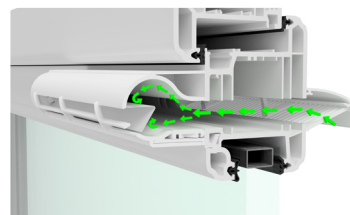
Standards

Tested in accordance with BS EN 13141-1:2019 (airflow, air leakage and weather tightness)

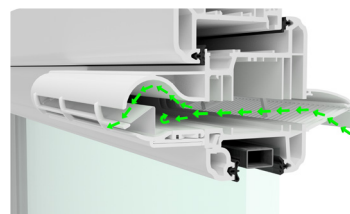
Performance

(Full test details available on request)

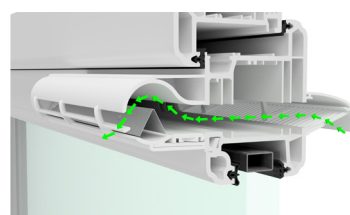
Equivalent Area (EA) – 2000mm²



High wind pressure

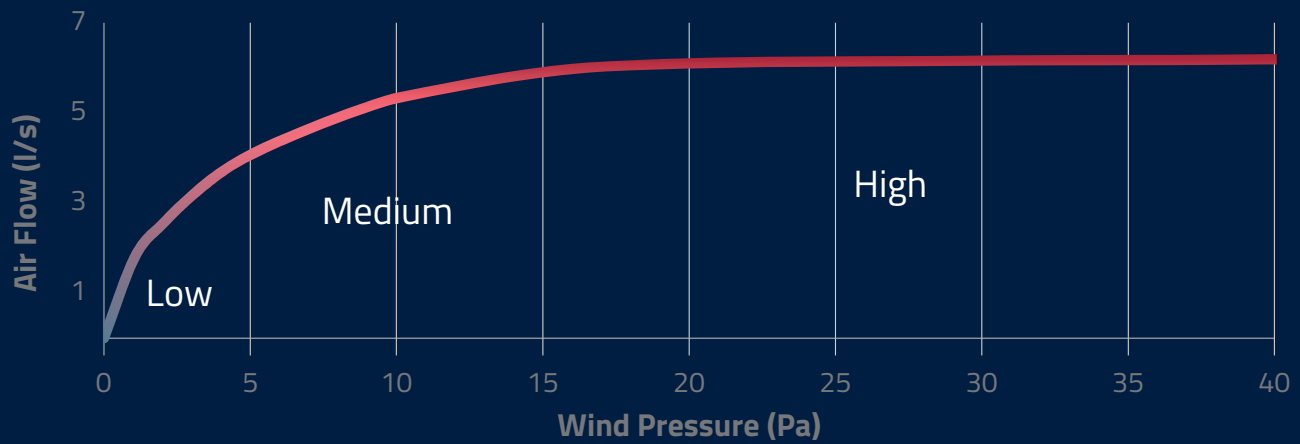


Medium wind pressure

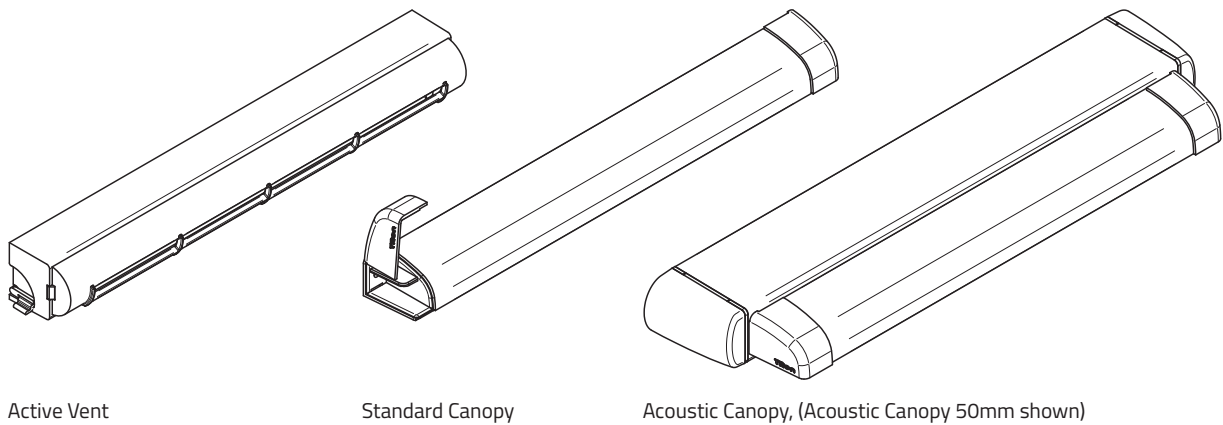


Low wind pressure

Performance



Product Breakdown



Product Name	Part Number	Length mm	Width mm	Projection mm	Fixing Centres (X) mm	Recommended Fixing Screws
Ultimate Active Vent	TA9521	288	35	43	270	Ø4 (No. 8) Countersunk Head
Standard Canopy	TA6057	305	24	36.5	286.5	Ø3.5 (No. 6) Pan Head
Acoustic Canopy 25mm	TA5252	350.5	35	63.5	322	Ø4 (No. 8) Pan Head
Acoustic Canopy 50mm	TA5254			88.5		
Acoustic Canopy 75mm	TA5256			113.5		

