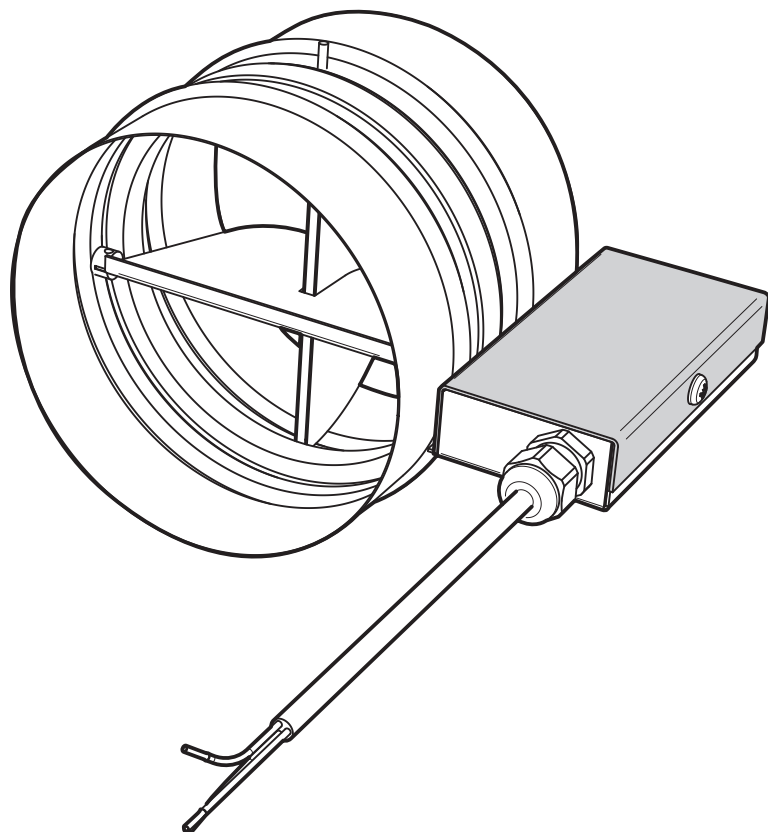


EN



Mains Actuated Backdraught Damper

TP630



 **Titon**[®]
ventilation systems

Safety Information

Important Information

Important: read these instructions fully before the installation of this appliance

1. Installation of the appliance and accessories must be carried out by a qualified and suitable competent person and be carried out in clean, dry conditions where dust and humidity are at minimal levels.
2. This manual covers the installation of the Mains Actuated Backdraught Damper.
3. All wiring must conform to current I.E.E. Wiring Regulations and all applicable standards and Building Regulations.
4. Inspect the appliance and electrical supply cord. If the supply cord is damaged, it must be replaced by the manufacturer, their service agent or similarly qualified persons in order to avoid a hazard.
5. The unit is supplied with a mains rated 3 core flexible cord (PVC sheathed, brown, blue and green/yellow 0.75mm²).
6. The appliance must be connected to a local double pole isolation switch with a contact separation of at least 3mm.
7. The appliance must be earthed.
8. The appliance is suitable for 220-240V ~ 50-60Hz single phase with a fuse rating of 3A.
9. Ensure all cable glands are fully tightened.
10. The unit must be stored in a clean and dry environment. Do not install the appliance in areas where the following may be present or occur;
 - Excessive oil or a grease laden atmosphere,
 - Corrosive or flammable gases, liquids or vapours,
 - Ambient temperatures above 40°C or below -5°C,
 - Humidity levels above 90% or is a wet environment.

-
11. The appliance is not suitable for installation to the exterior of the dwelling.
 12. This appliance can be used by children aged from 8 years and above and persons with reduced physical, sensory or mental capabilities or lack of experience and knowledge if they have been given supervision or instruction concerning use of the appliance in a safe way and understand the hazards involved. Children should be supervised to ensure that they do not play with the appliance. Cleaning and user maintenance shall not be made by children without supervision.
 13. The unit must not be connected to a tumble dryer or a cooker hood.
 14. Precautions must be taken to avoid the back-flow of gases into the room from an open flue appliance.
 15. Ensure all ducting associated pipe work is free from debris and blockages before switching on the unit

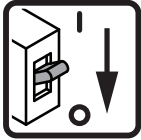
Explanation of symbols on the appliance.



Read instruction Manual.



Risk of Electric Shock.



Disconnect the mains supply before removing the cover.



When this document is viewed as a PDF the headings & sub headings on this page are hyper links to the content. Additionally the page numbers in this document are hyper links back to this contents page.

Contents

Safety Information

Important Information	2
Explanation of symbols on the appliance.	4

Product Information

Product Features	6
Packaging Contents	6
Recommended Accessories	6
Other Accessories Available	6
Dimensions	7
Component Identification	7

Installation

Fixing	8
Ducting Connections	9
Wiring Connection	10
Stand Alone	10
With Titon Purge Ventilation Unit	10

Maintenance

Routine Maintenance	11
---------------------------	----

Product Information

The Mains Actuated Backdraught Damper (MABD) is a normally closed backdraught damper for use with Ø150mm passive duct runs.

Product Features

- Mains power actuated open.
- Sprung back draft damper vane return.
- Self-seal duct connections.

Packaging Contents

Inspect the unit when taking delivery. Check the unit for damage and that all accessories have been supplied. Package supplied with;

- Powered Actuator Damper x 1.
- Product Manual x 1.

Any shortages or damage must be immediately reported to the supplier.

Recommended Accessories

Titon recommend the following accessories to be installed with the unit as part of a complete ventilation system solution:

- Ø150mm external wall vent.
- Ø150mm ducting.
- Internal ceiling or wall vent (depending on system design).

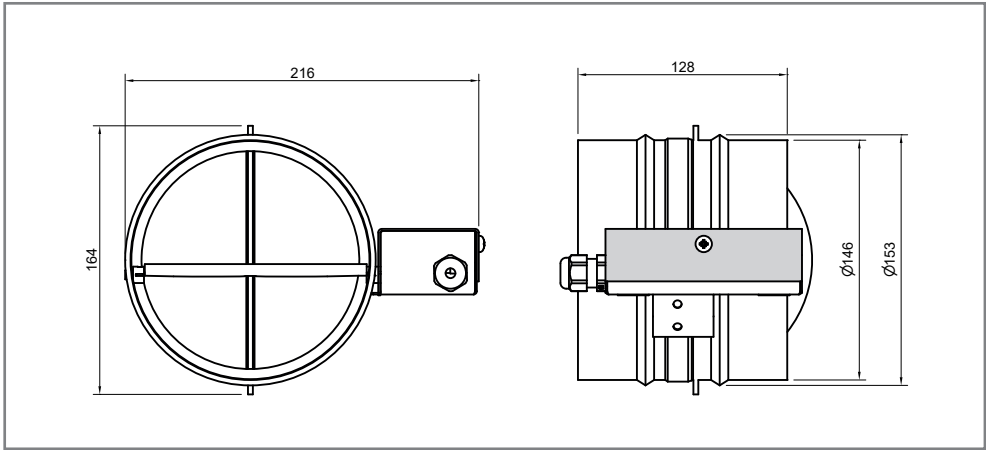
Other Accessories Available

Titon offer a range of complimentary ducting and unit accessories that could be fitted to this unit if required, such as:

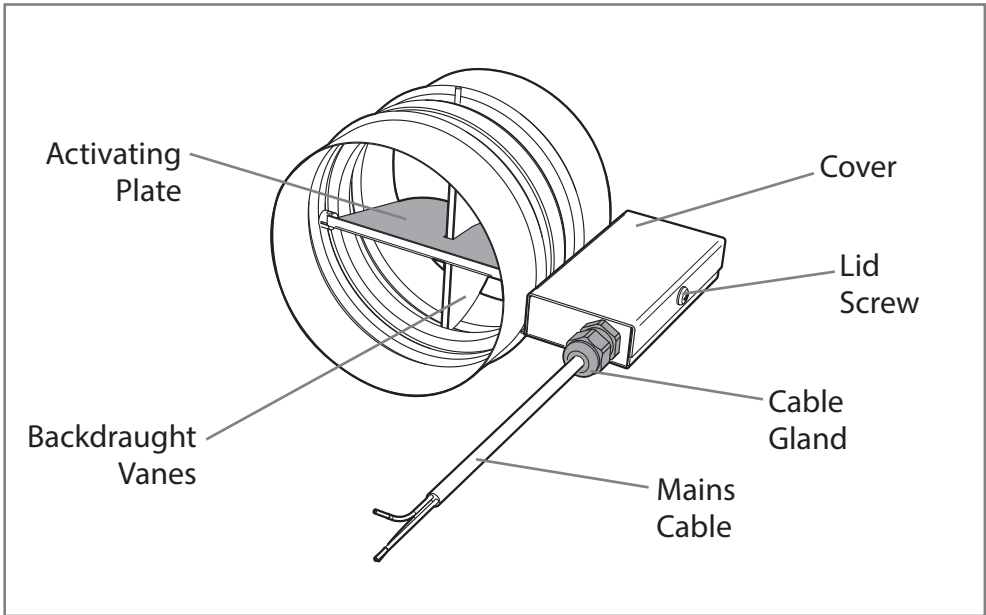
- Acoustic ducting.
- Filtration boxes.

Dimensions

The diagram details the overall size of the unit and the additional space required around the unit to allow for future servicing and maintenance



Component Identification



Installation

Fixing

1. The damper should be installed horizontally with the control box Cover facing upwards to keep the spring return damper vanes effective at all times and maintain IPX2 ingress protection (fig 1).
2. If a vertical installation is required it is recommended that the unit is installed with the damper vanes opening upwards, the cable gland facing downwards, and with extra measures to protect the unit if an IPX2 level of ingress protection is required (fig 2).

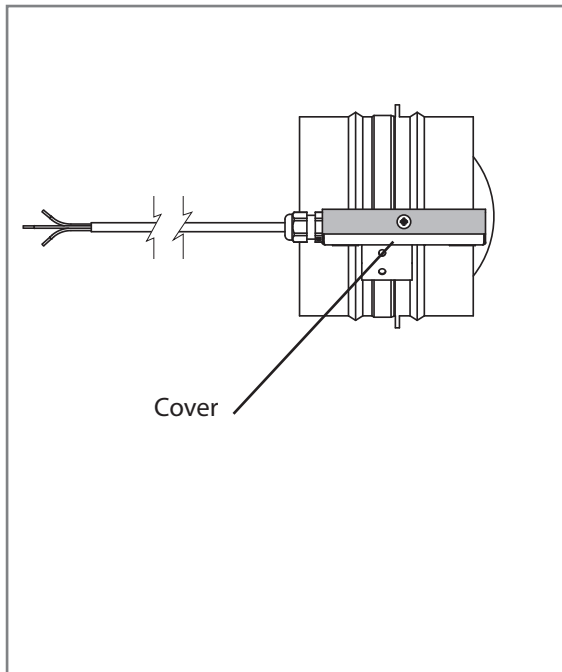


fig 1

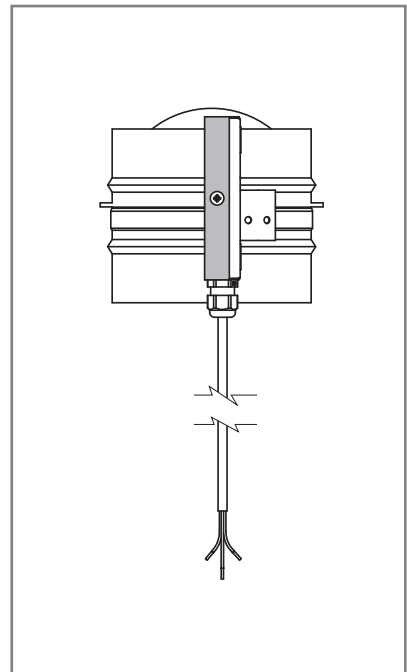


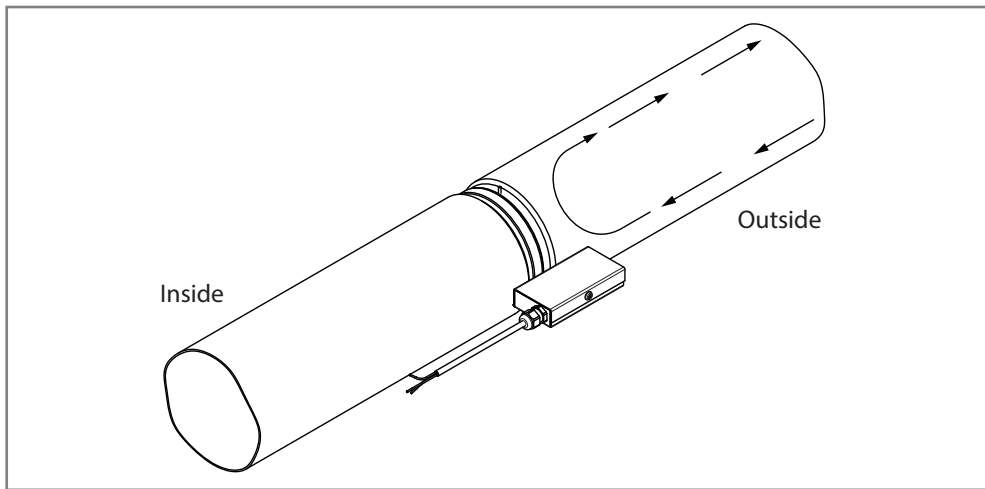
fig 2

3. As the damper has a self-seal rubber flange at either end the use of mechanical fixings, sealants or tapes should not be required, however care should always be taken to ensure the unit and connecting ducts produce an air tight seal.

Ducting Connections

Titon recommend that:

1. Ø150mm ducting is used for connecting to either side of the actuated damper. To prevent backdraught air from the outside entering the system the damper needs to be facing into the dwelling (as a guide the cable gland points in the same direction).



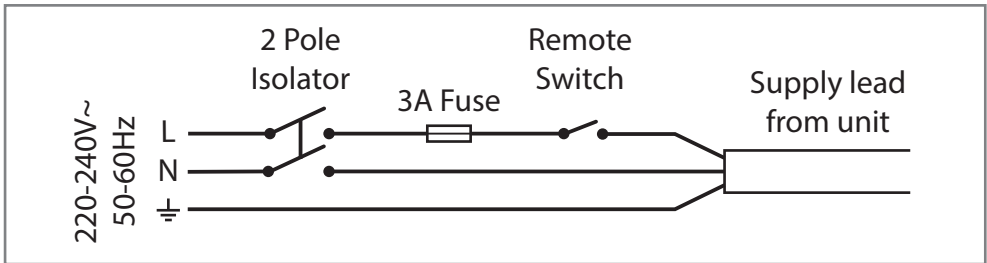
2. Ducting should be insulated where it passes through heated areas and voids.
3. Where ducts extend externally above roof level the section above the roof should be insulated.
4. Where ducts pass through fire barriers they must be appropriately fire stopped in accordance with the requirements of Part B Building Regulations (England & Wales).
5. All insulation to be the equivalent of at least 25mm of insulating material with a thermal conductivity of 0.04 W/(mK).
6. Ducting must be installed in such a way that resistance to airflow is minimised.

Wiring Connection

As the unit comes fitted with a flying lead no internal access is required to the unit when wiring it up.

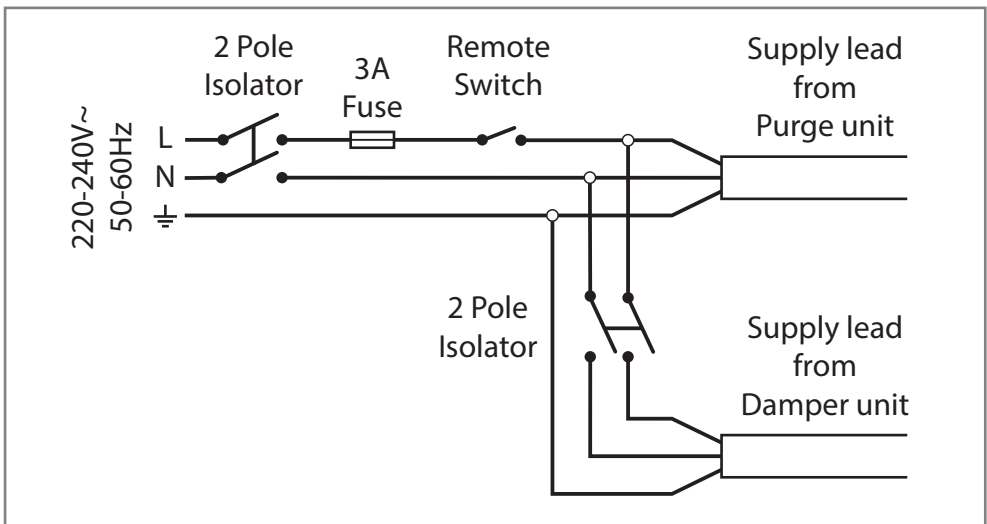
Stand Alone

This unit should be fitted to a latching switch with mains power supply.



With Titon Purge Ventilation Unit

If this unit is to be fitted as part of a complete system with a Titon Purge Ventilation Unit the Titon powered actuator should be wired into and operated by the same latching switch.



Maintenance

Routine Maintenance

All ventilation units require periodic maintenance. Routine maintenance must only be carried out by a suitably qualified and competent person.

In the event of any queries please contact the system installer.

WARNING: The unit uses a 220-240V~ 50-60Hz supply and contains rotating mechanical parts. ISOLATE the unit from mains power supply and allow sufficient time for all moving parts to stop before undergoing any Servicing or Maintenance.

In the event of any queries please contact the system installer.

Ensure this booklet is passed to the householder once installation & commissioning of the ventilation system is complete. This Product Manual must be kept in the Home Information Pack and used as a service record.

Installed by:



MARKETING DIVISION

894 The Crescent, Colchester Business Park, Colchester, CO4 9YQ

Tel: +44 (0) 1206 713800 Fax: +44 (0) 1206 543126

Email: ventsales@titon.co.uk Web: www.titon.com