

# Adventure

Heavy duty friction hinge

Suitable for:

PVCu



ALUMINIUM



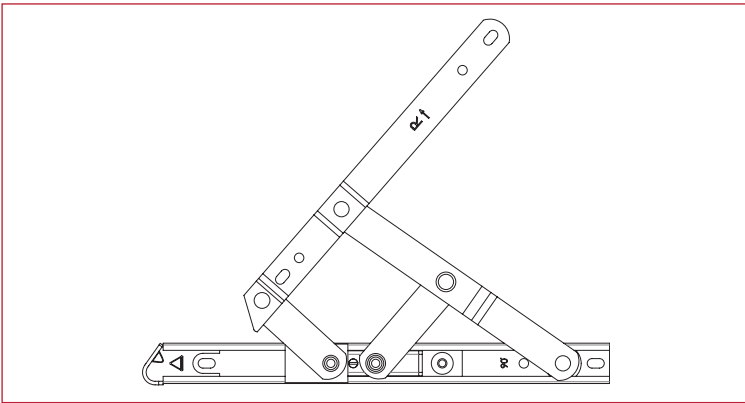
TIMBER



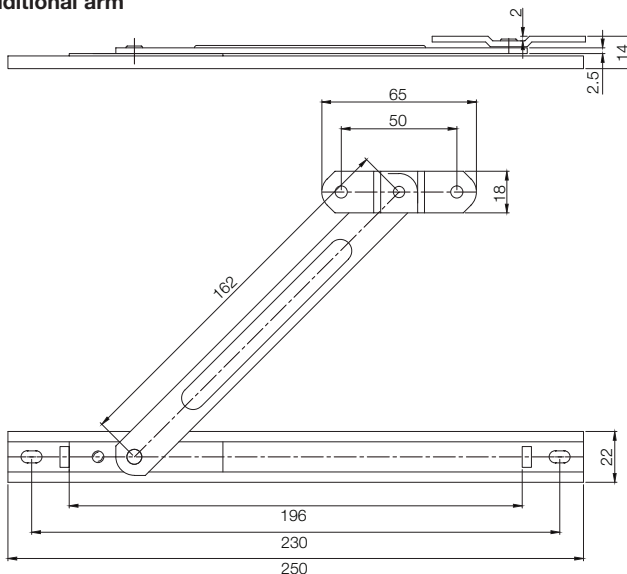
The Adventure friction hinge is suitable for many commercial or heavy sash domestic applications on side or top hung windows.

Adventure has been developed by Titon's experienced window fittings team and is tested to the latest hardware standards. All Adventure hinge dimensions and opening geometries have been calculated and designed to provide solutions on most window profiles.

The range is manufactured from high grade SS304 austenitic stainless steel, including the enclosed metal end cap, fitted for added strength compared to a standard hinge.



### Additional arm



## Features and Benefits

- Suitable for larger, heavier sashes or commercial applications
- Adjustable and controlled friction for smooth operation
- 16mm stack height
- Secure by Design Product
- Made from austenitic stainless steel for high corrosion resistance
- Additional arm available
- Fully dimensioned technical sheet available for each hinge
- Free profile/section suitability advice available from the Titon Technical Department



### Tenure Hinge Security Guard for use with Adventure Heavy Duty friction hinges



Data sheets for each hinge size are available on request

## Adventure Side Hung

Code	Hinge Size (")	Hinge Size (mm)	Max Sash Weight (kg)	Opening Angle (+/-2.5°)	Min Sash Width (mm)	Max Sash Width (mm)	Max Sash Height (mm)	Box Quantity (pairs)
TN5013A	10	271	34.5	83/50	271	660	1800	25
TN5014A	16	414	32/42/42	90/50/30	414	762	2000	25

## Adventure Top Hung

Code	Hinge Size (")	Hinge Size (mm)	Max Sash Weight (kg)	Opening Angle (+/-2.5°)	Min Sash Height (mm)	Max Sash Height (mm)	Max Sash Width (mm)	Box Quantity (pairs)
TN5013A	10	271	50	50	271	650	2000	25
TN5014A	16	414	55/100 <sup>1</sup>	50/30 <sup>1</sup>	414	800	2000	25
TN5015A	22	570	80/100 <sup>2</sup>	45/20 <sup>2</sup>	570	1500	2000	10
TN5016A	26	690	120/150 <sup>3</sup>	20/10 <sup>3</sup>	690	2500	2000	10

## Additional Arm (used to provide additional friction and limit window opening)

Code	Arm Length (")	Arm Length (mm)	Box Quantity
TN5031A	10 nominal	250	25

## Tenure Hinge Guard (4 off required for window)

Code	Stack Height (mm)	Box Quantity
TN5035 (1 Hinge Guard)	16 Stack	100

All operating parameters are indicative and will vary according to window profile design and operating characteristics. Larger hinges may require an additional arm to achieve maximum performance.

\*Restricted to 15° to pass clause 5.5 "Resistance to repeated opening and closing" Class 2 when tested in accordance with BS 6375-2:2009

<sup>1</sup> Sash weight of 55kg to limit of 100kg, opening must be restricted to 30° using integral limit stop

<sup>2</sup> Sash weight of 80kg to limit of 100kg, opening must be restricted to 20° using integral limit stop

<sup>3</sup> Sash weight of 120kg to limit of 150kg, opening must be restricted to 10° using 2 x additional stay TN5031 or similar

**NOTE:** The above are general minimum requirements, further limitations may be found necessary following customer trials/tests on their specific application.

Integral stops are not suitable for use as a safety restrictor.

## Manufactured from

Austenitic stainless steel (hinge only)

## More information

enquiries@titon.co.uk / 01206 713801

## Performance

Please contact us for the latest test results.

