

# Kenrick Centurion Fast-Fit

Security shootbolt espagnolette

Suitable for:

PVCu



ALUMINIUM



TIMBER



**Centurion Fast-Fit is an adaptable locking system providing high levels of security while still remaining cost effective.**

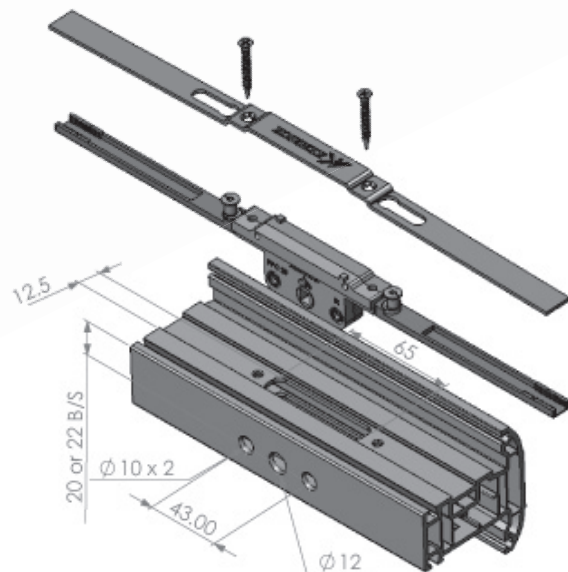
Available in various non-croppable lengths with two backsets and up to 8 locking points, Centurion Fast-Fit allows window fabricators of any size the opportunity to market a high value finished product at a cost effective price.



## Features and Benefits

- Simple to install
- Steel shootbolts
- 4-8 Locking points
- Secure by Design Product
- Available in 20mm and 22mm backset gearbox
- Robust unhandled die-cast gearbox
- Non crop shootbolts
- Profile related keeps with night vent facility
- Tested to 100,000 cycles
- 10 year mechanical guarantee
- Minimum of 240 hours salt spray testing exceeding BSEN 1670:2007
- PAS24 Capable

### Handle fixing and lockcase routing detail



## Centurion Fast Fit Gear Box

Product Code	Gearbox Backset (mm)
CLSFF0020	20
CLSFF0022	22

## Standard Extension Part Numbers (With Adjustable Mushroom Cams)

Product Code	Sash Rebate Size	Number of Locking Points
CLS240370	450-567	2
CLSFFBAR01	568-716	4
CLSFFBAR02	716-866	6
CLSFFBAR03	866-1016	6
CLSFFBAR04	1016-1170	6
CLSFFBAR05	1170-1320	8
CLSFFBAR06	1320-1466	8
CLSFFBAR07	1468-1608	8

### Size range

450-1608mm

### Manufactured from

Gearbox- Zinc  
Extensions- Mild Steel  
Striker- Zinc

### Finish

Zinc plate

### Performance

(Full test details available on request.)  
Minimum of 240 hours salt spray testing exceeding BSEN 1670:2007

### When ordering please specify:

1. Espagnolette type
2. Sash rebate
3. Backset size
4. Cam size
5. Profile name and number

### More information

enquiries@titon.co.uk / 01206 713801

