

# Kenrick Interceptor

Security espagnolette

Suitable for:

PVCu

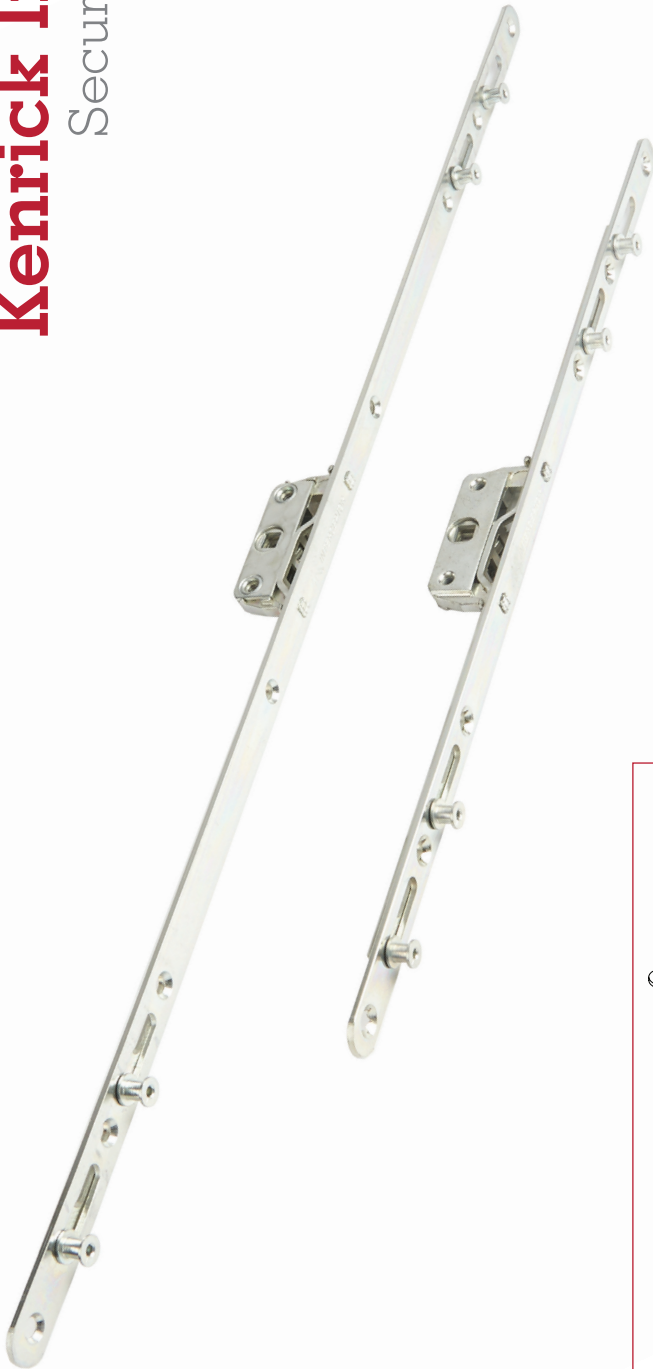


ALUMINIUM



Interceptor twin cam espagnolette has been designed with time saving as a high priority.

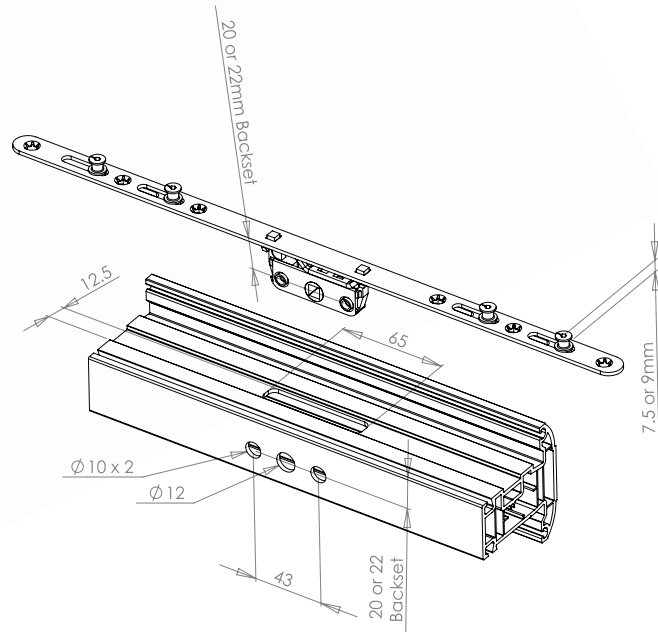
This Secured by Design espagnolette features twin adjustable mushroom cams and is non-crop, meaning it can be fitted in seconds.



## Features and Benefits

- No Cropping
- Simple to install
- Twin adjustable mushroom cams
- Secured by Design product
- Available in 20mm and 22mm backset gearbox
- 7.5mm/9mm and 11.5mm Mushroom Cams
- Robust unhandled die-cast gearbox
- Profile related keeps with night vent facility
- Bar Size from 280mm to 1400mm
- Tested to 100,000 cycles
- 10 year mechanical guarantee
- Minimum of 240 hours salt spray testing - BSEN 1670:2007
- Patented high security locking
- Guaranteed security
- PAS24 Capable

### Handle fixing and lockcase routing detail



## 20mm Backset

Product Code	Bar Size (mm)	Number of Locking Points	Number of Keeps
INT28020	280	2	1
INT40020	400	4	2
INT60020	600	4	2
INT80020*	800	4	3
INT100020*	1000	4	3
INT120020*	1200	6	3
INT140020*	1400	8	4

## 22mm Backset

Product Code	Bar Size (mm)	Number of Locking Points	Number of Keeps
INT28022	280	2	1
INT40022	400	4	2
INT60022	600	4	2
INT80022*	800	4	3
INT100022*	1000	4	3
INT120022*	1200	6	3
INT140022*	1400	8	4

\*Low handle height version available. Call for more details.

### Size range

280 - 1400mm

### Manufactured from

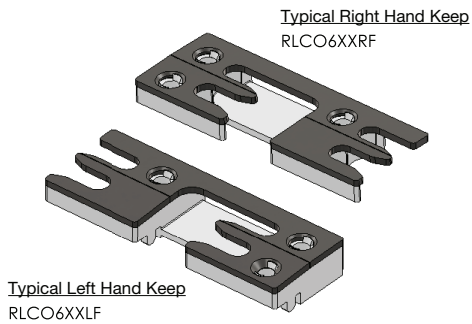
Gearbox - Zinc

Extensions - Mild Steel

Striker Steel Top - Plastic Profile related base

### Finish

Zinc plate



### Performance

(Full test details available on request.)

Minimum of 240 hours salt spray testing - BSEN 1670:2007

### When ordering please specify:

1. Espagnolette type
2. Sash rebate
3. Backset size
4. Cam size
5. Profile name and number
6. Handing as keeps are handed

### More information

enquiries@titon.com / 01206 713801

