

Overture FH

Flag hinge

Suitable for:

PVCu

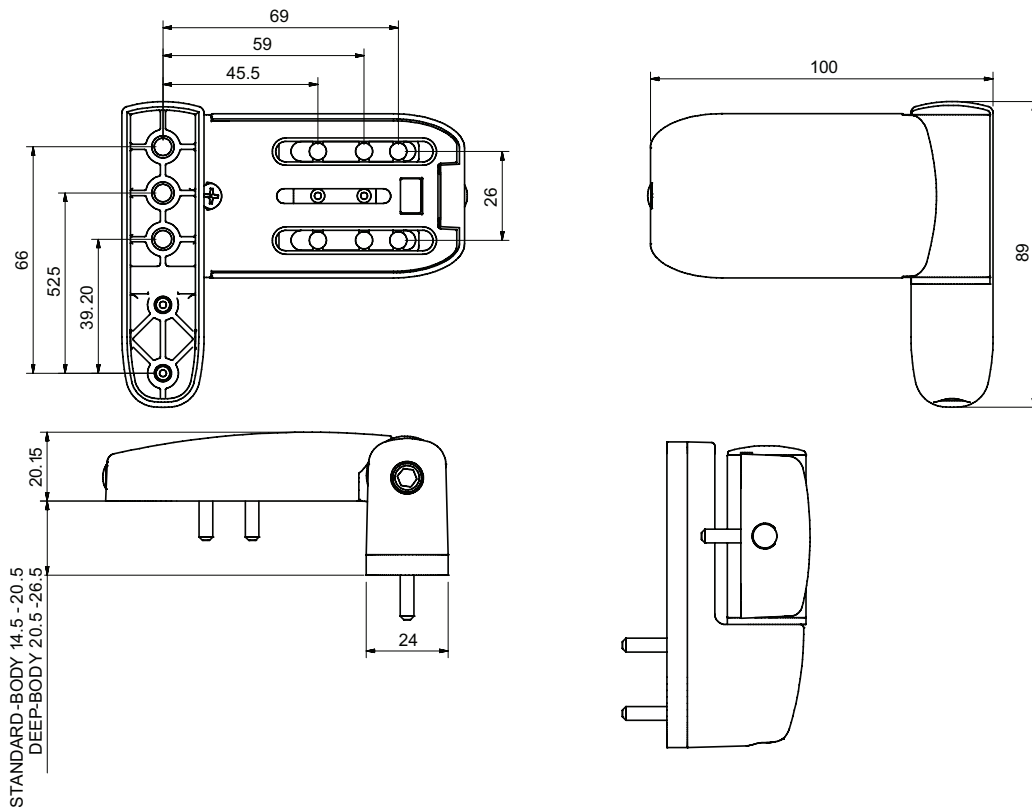


Overture flag hinge jig



Features and Benefits

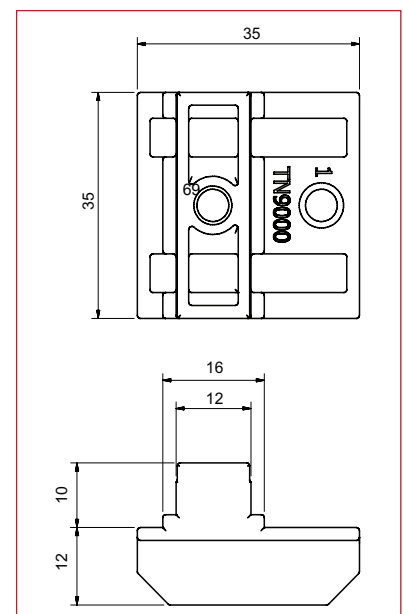
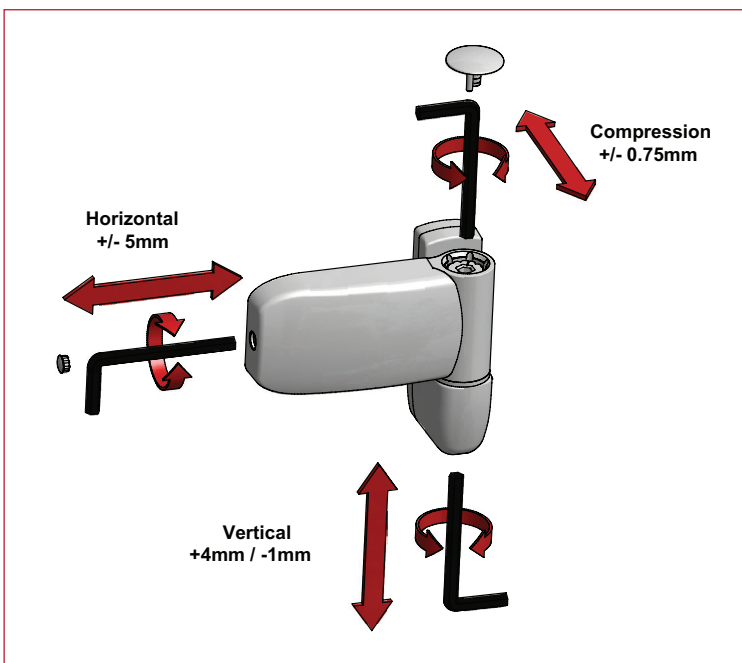
- Designed specifically for PVCu door applications
- 3D adjustability:
Lateral +5mm / -5mm
Height +4mm / -1mm
Compression +0.75mm / -0.75mm
- Accommodate profiles with a step of 14.5mm – 26.5mm
- Standard and deep body options available
- Stainless steel stabilising pins locate into the reinforcement providing enhanced security
- Non-handed. Suitable for inward and outward opening doors
- Secure cover plate
- Fixing jig available
- Designed to meet the requirements of PAS 24 as part of a compliant door system
- Supplied with fixing screws (Fixing Screws 4.8 x 29mm & Fixing Screws 4.8 x 45mm)
- Packed in 24 off/box in trays
- Spares packed with cover screw top and side caps



Product Code	Product
TN9100	Standard Body
TN9200	Deep Body

Product Code	Finishes
020	White
002	Black
763	Light Oak (RAL 8001)
965	Dark Brown (RAL 8019)
825	Satin Chrome
812	Polished Chrome
102	PVD Gold

Product Code	Part Number
TN9400-020	Spares Pack Pk 10 – White
TN9400-002	Spares Pack Pk 10 – Black
TN9400-763	Spares Pack Pk 10 – Light Oak
TN9400-965	Spares Pack Pk 10 – Dark Brown
TN9300	Flag Hinge Drill Jig
TN9000-010	Security Anti-Lift Block



Manufactured from

Stainless steel SS 430
Die cast zinc
Plastic moulded nylon

More information

enquiries@titon.co.uk / 01206 713801

Performance

BS EN 1670 Grade 4 (240 hours)
50,000 cycles with 3 hinges carrying 120kg