

Overture Tilt & Turn Handle

Suitable for:

PVCu



ALUMINIUM



TIMBER



The Tilt & Turn handle is designed for use on PVCu, aluminium or timber tilt & turn windows.

It is available as a locking or non locking handle and comes in a wide range of finishes.



Features and Benefits

- Tilt & Turn locking handle
- Part of the fully suited Overture product range
- Range of finishes available – please phone for availability
- Push button to open
- 35mm x 7mm spindle
- Locking or non locking versions
- Supplied with screws, key & non-locking insert as standard
- 10-year mechanical guarantee
- BBA approved
- Please contact us for the latest test results

Available in straight versions with 35mm x 7mm spindles.
Locking or non locking versions are also available.

Manufactured from

Zinc Alloy to BS EN 1774 ZL3
Aluminium to BS EN 1490 LM20

Recommended screws

M5 machine screws

Standards

Please contact us for the latest test results

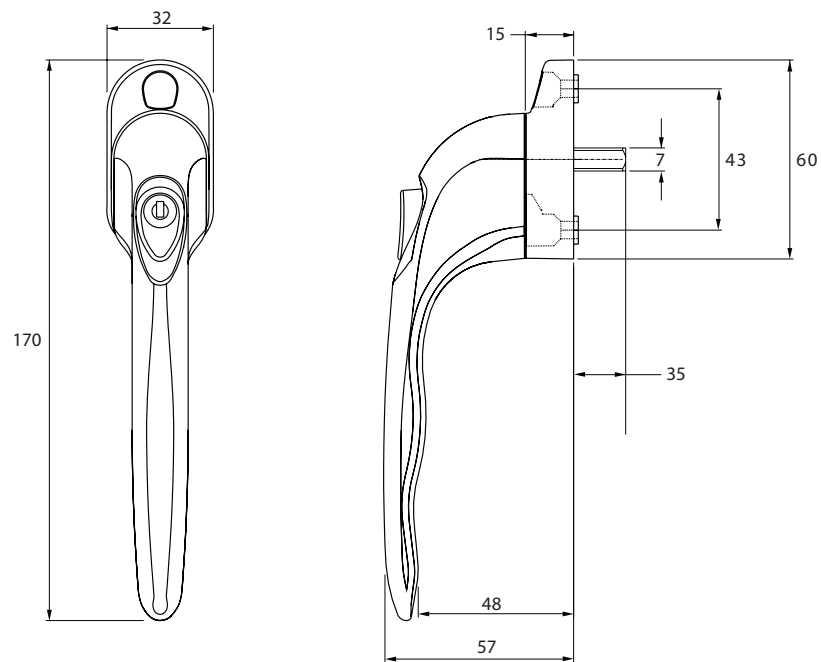
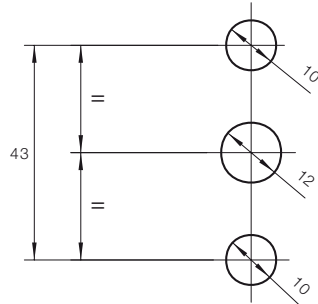
Finishes

White, Polished chrome, Gold,
Satin Silver and Black

More information

enquiries@titon.co.uk / 01206 713801

Handle fixing detail



All dimensions in mm