

# Maxiglaze

Energy efficient glazed-in ventilator



Maxiglaze Ventilator (inside)



Maxiglaze Ventilator (outside)

Suitable for:

- VINYL
- ALUMINUM
- WOOD
- FIBERGLASS

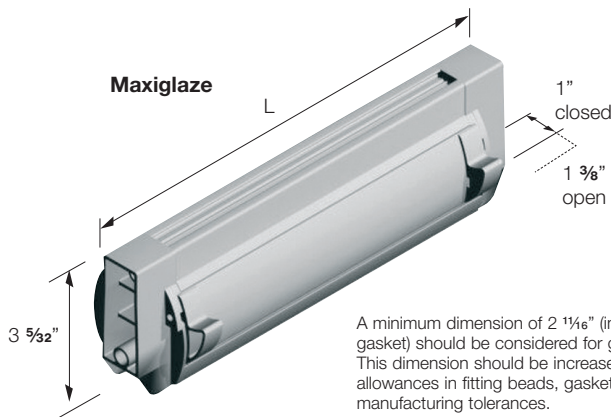
**Maxiglaze is an energy efficient glazed-in aluminum ventilator that provides a much healthier indoor air environment in the home and give the home occupants greater comfort and control in doing so.**

Optimum performance over length requires fewer vents to be fitted to achieve total requirement.

The Maxiglaze is available in made to measure sizes or in bar length in a variety of colors.



Note – Special consideration is needed regarding the bead fitting method and sealing on wood windows. Standard glazing tapes may not be sufficiently flexible.



A minimum dimension of 2 1/16" (including gasket) should be considered for glass reduction. This dimension should be increased for any allowances in fitting beads, gaskets etc., or for manufacturing tolerances.

## Features and Benefits

- Optimum air opening over length
- Supplied made-to-measure or in bar length
- Designed for easy cutting and assembly from bar length
- Made-to-measure minimum length 8 1/8", maximum length 60 1/8"
- Suitable for 15/16" or 1 1/8" IG glass thicknesses
- Available in mill finish bar length for customer painting (15/16" IG only)
- Can be supplied with Free Area limit to prevent over ventilating
- Vent Injection Process (VIP); rapid sealing method to improve weather tightness
- Aluminum or (white) plastic canopy
- Dual color (inner and outer) finish available
- Thermally improved (not mill finish version)
- Channel gasket
- Cord and rod control versions
- Patented design

## Manufactured from

Aluminum 6063 HIT T6, component parts PVCu, POM, PA6 & PP (UV Stable).

## Performance

(Full test details available on request)

Free Area (in<sup>2</sup>) – approx 10 sq inches per foot of extrusion.

Water Resistance – in excess of 12.5 psf / 600Pa.

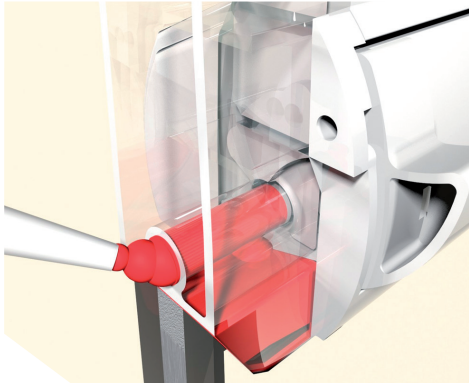
Acoustic STC – 20" long vent – open 29dB – closed 48dB.

## Finishes

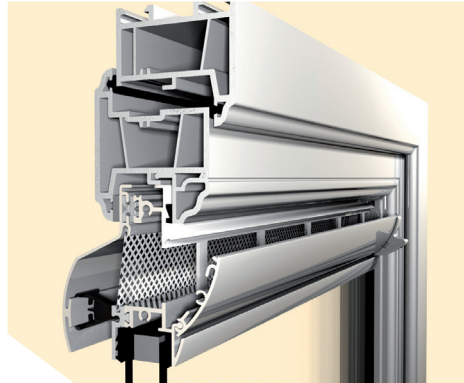
Suffix product code with: -020 (white with white canopy), -475 (white with black canopy). Other finishes available depending on quantity.

## More information

titoninc@titon.com / 574 271 9699



Vent injection process



Over glass