

Trimvent® 90

Aluminum slot ventilator



Trimvent® 90 Ventilator

Suitable for:

- VINYL
- ALUMINUM
- WOOD
- FIBERGLASS

Trimvent 90 is a semi-recessed aluminum slot ventilator that fits over a slot in the window and provides a much healthier indoor air environment in the home and gives the home occupants greater comfort and control in doing so.

The TV90 is ideal for both new build or refurbished situations using any window material and is available in a variety of colors.

Trimvent vents all give optimum airflow. Specifically developed to improve indoor air quality requirements throughout North America and the Rest of the World.

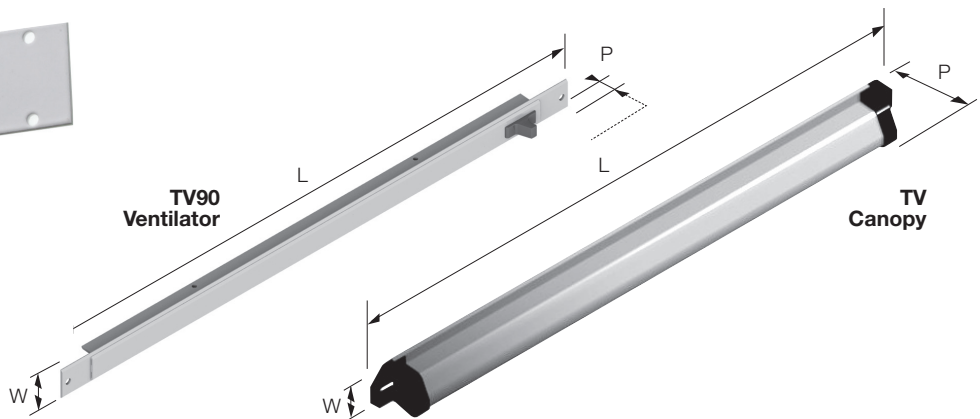
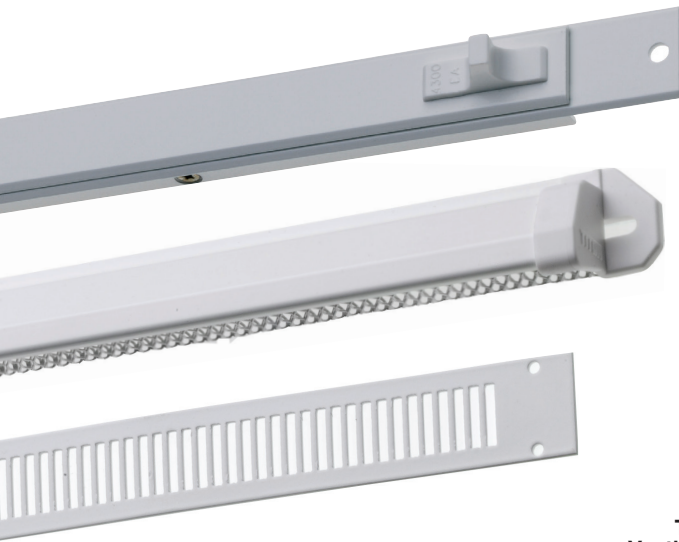
Trimvent 90 range of trickle ventilators have been specified and fitted on millions of windows throughout the World since 1972.



Trimvent® Canopy

Features and Benefits

- The original Trimvent design
- T-bar deflects air up and down
- Aluminum ventilator, canopy and grill
- Can be fitted horizontally or vertically
- For use on 5/8" slot
- Fully gasketed for increased performance
- Use with external canopy or flat grill
- Various air opening sizes
- Unique linkages ensure constant friction and smooth action
- Patented and registered design
- Special colors available on request
- Cord control version available
- Suitable for aluminum, wood, vinyl and fiberglass windows



Product	Product Code	(L) Length	(W) Width	(P) Projection Closed-Open	Available Air Opening (Free Area)	Slot Size
TV90 Range – 5/8" slot width (grill 3/4")						
TV90 TV250 Internal Trickle Ventilator	TA660GT	9 13/16"	7/8"	1/2" – 3/4"	3 3/16 in ²	7 3/4"
TV90 TV250 External Canopy	TA693	9 13/16"	1 7/16"	7/8"	3 3/16 in ²	5/8"
TV90 FG250 Flat Grill	TA750	9 13/16"	1 3/16"	1/16"	3 3/8 in ² (with canopy)	8 1/4" (with canopy) 3/4"
TV90 TV425 Internal Trickle Ventilator	TA661GT	16 3/4"	7/8"	1/2" – 3/4"	6 3/8 in ²	14 5/8"
TV90 TV425 External Canopy	TA694	16 3/4"	1 7/16"	7/8"	6 3/8 in ²	5/8"
TV90 FG435 Flat Grill	TA751	17 1/8"	1 3/16"	1/16"	6 1/4 in ² (with canopy)	16" (with canopy) 3/4"
TV90 TV695 Internal Trickle Ventilator	TA662GT	27 3/8"	7/8"	1/2" – 3/4"	10 1/4 in ²	25 1/4"
TV90 TV695 External Canopy	TA695	27 3/8"	1 7/16"	7/8"	10 1/4 in ²	5/8"
TV90 FG695 Flat Grill	TH12	27 3/8"	1 3/16"	1/16"	10 1/4 in ² (with canopy)	26 3/16" (with canopy) 5/8"
TV90 TV835 Internal Trickle Ventilator	TA663GT	32 7/8"	7/8"	1/2" – 3/4"	12 3/4 in ²	15 9/16"
TV90 TV835 External Canopy	TA696	32 7/8"	1 7/16"	7/8"	12 3/4 in ²	5/8" 15 9/16" 5/8"

The above Canopies are for Horizontal application, for Vertical applications please see Vertical Canopy page for more information

Manufactured from

Aluminum 6063 HIT T6, component parts PVCu, POM & PP (UV Stable)

Recommended screws

(No.6) Round Head or equivalent

Performance

(Further test information available on request)

Free Area – See above.

Water Resistance – in excess of 12.5 psf / 600Pa.

Acoustic STC –TV250 Vent and Canopy – open 35dB – closed 49dB.

Acoustic STC – TV425 Vent and Canopy – open 33dB – closed 46dB.

Finishes

-265 (White), -898 (Desert Sand), -242 (Almond), -880 (Tan), -068 (Bronze). Other finishes available depending on quantity.

More information

titoninc@titon.com / 574 271 9699



Through sash