

# Trimvent® SM

Surface mounted aluminum slot ventilator



Trimvent® SM Ventilator

Suitable for:

- VINYL
- ALUMINUM
- WOOD
- FIBERGLASS

**Trimvent SM vent is a surface mounted aluminum slot ventilator that fits over a maximum ½” slot in a window and provide a much healthier indoor air environment in the home and give the home occupants greater comfort and control in doing so.**

The TV SM is available in made to measure sizes or in bar length in a variety of colors.

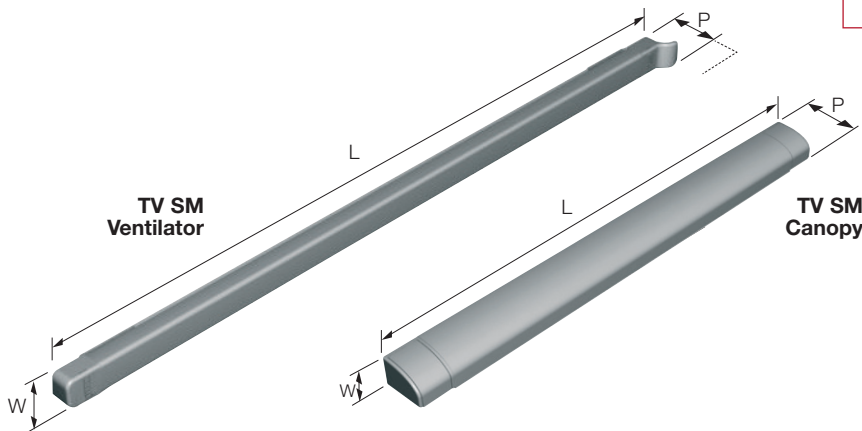
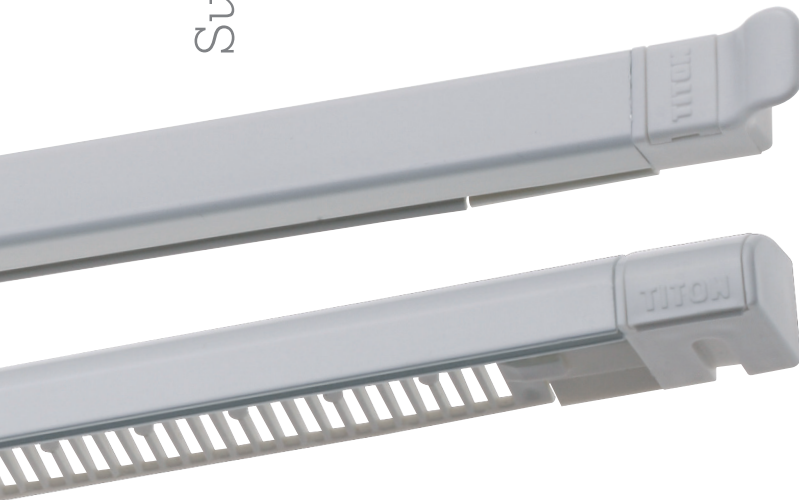
Trimvent vents all give optimum airflow. Specifically developed to improve indoor air quality requirements throughout North America and the Rest of the World.



Trimvent® SM Canopy

## Features and Benefits

- When specified correctly, complies with Building Regulations
- Vent deflects air up and down to reduce drafts
- Compression closing action
- For use over ½” slot or holes
- Flexible vinyl seal for improved weather tightness
- Surface mounted for retrofit applications, over a slot or series of holes
- Available in bar length for cutting to size by customer (details on request)
- Based on the original and successful Trimvent principle and design
- Special paint finishes available
- Thermally insulated
- Good acoustic properties when closed
- Matching screw covers
- Patented design
- Suitable for aluminum, wood, vinyl and fiberglass windows



Product	Product Code	(L) Length	(W) Width	(P) Projection Closed-Open	Available Air Opening (Free Area)	Slot Size
<b>SM Range – slot width up to 1/2"</b>						
SM405 Internal Trickle Ventilator	TA994	16"	5/8"	5/8" – 1 5/16"	6 in <sup>2</sup>	11 7/8" 1/2"
TV4000-400 External Canopy	TA4205	15 3/4"	1 1/8"	7/8"	6 in <sup>2</sup>	11 7/8" 1/2"
SM635 Internal Trickle Ventilator	TA999	25"	5/8"	5/8" – 1 5/16"	10 1/2 in <sup>2</sup>	21" 1/2"
TV4000-575 External Canopy	TA4008	22 5/8"	1 1/8"	7/8"	10 1/2 in <sup>2</sup>	21" 1/2"

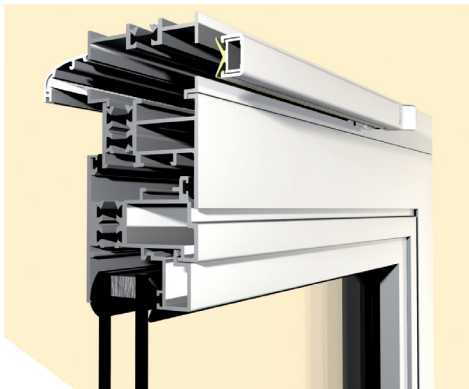
The above Canopies are for Horizontal application, for Vertical applications please see Vertical Canopy page for more information

### Manufactured from

Aluminum 6063 HIT T6 & PVCu seal, canopy – Aluminum 6063 HIT T6, PP (UV Stable).

### Recommended screws

(No.6) Pan or Round Head or equivalent.



Through add-on section

### Performance

(Further test information available on request)

Free Area – See above.

Water Resistance – in excess of 15.7 psf / 750Pa.

Acoustic STC – SM405 Vent and Canopy – open 34dB – closed 49dB.

### Finishes

Suffix product code with: -265 (white), -898 (Desert Sand), -242 (Almond), -880 (Tan), -068 (Bronze). Other finishes available depending on quantity.

### More information

titoninc@titon.com / 574 271 9699