

Venture

Friction hinge

Suitable for:

PVCu



ALUMINIUM



TIMBER

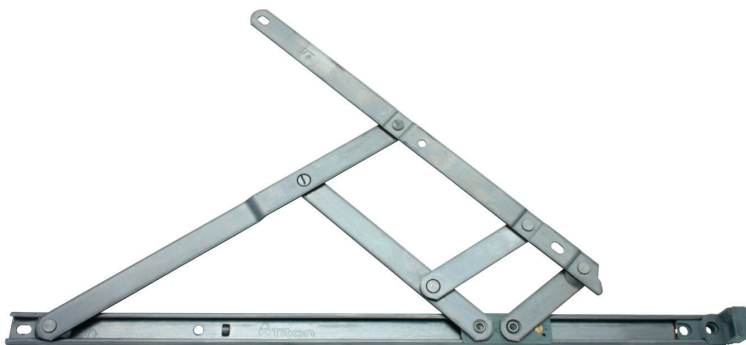


The Venture friction hinge range is suitable for domestic applications on side or top hung windows.

Venture has been developed by Titon's experienced window fittings team and is tested to the latest hardware standards. All Venture hinge dimensions and opening geometries have been calculated and designed to fit most window profiles.

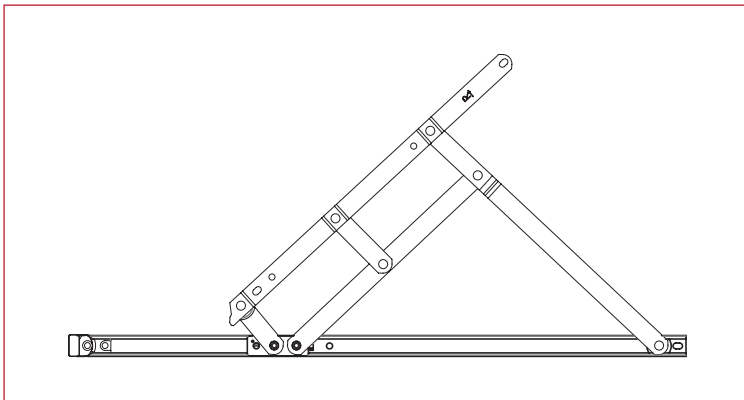
There are a number of Lo and Hi Stack height versions in the range including top hung, side hung and Egress Easy-Clean.

The addition of the Tenure Hinge Security Guard means that the Venture hinge is capable of meeting the requirements of PAS 24 as part of a compliant window system.



Features and Benefits

- Suitable for domestic and light commercial applications
- Adjustable and controlled friction for smooth operation
- Lo and Hi Stack heights
- Secure by Design Product
- Designed to meet the requirements of PAS 24 as part of a compliant window system
- Austenitic stainless steel version available for high corrosion resistance - please contact us for the latest test results
- Egress Easy-Clean version
- Additional arm available
- Fully dimensioned technical sheet available for each hinge
- Free profile/selection suitability advice available from the Titon Technical Department

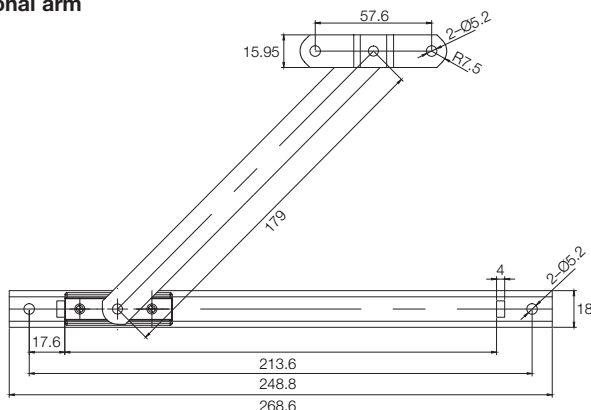


Tenure Hinge Security Guard for use with Venture friction hinges



Data sheets for each hinge size are available on request

Additional arm



Venture Side Hung

Lo-Stack	Hi-Stack	Hinge Size (")	Hinge Size (mm)	Max Sash Weight (kg)	Min Sash Width (mm)	Max Sash Width (mm)	Max Sash Height (mm)	Hinge Projection (mm)	Opening Angle (+/-2.5°)	Box Quantity (pairs)
TN5001	TN5024	10	260	18	260	380	1200	144	85	50
TN5002	TN5025	12	311	24	311	600	1600	122	86	25
TN5003	TN5026	16	414	26	414	700	1800	241	83	25

Venture Top Hung

Lo-Stack	Hi-Stack	Hinge Size (")	Hinge Size (mm)	Max Sash Weight (kg)	Min Sash Height (mm)	Max Sash Height (mm)	Max Sash Width (mm)	Hinge Projection (mm)	Opening Angle (+/-2.5°)	Box Quantity (pairs)
TN5004	TN5018	8	210	10	210	300	1200	82	64	50
TN5005	TN5019	10	260	16	260	450	1400	121	57	50
TN5006	TN5020	12	311	21	311	600	1600	172	64	25
TN5007	TN5021	16	414	22	414	750	1800	162	50	25
TN5008	TN5022	20	514	24	514	900	2000	144	42	25
TN5009*	TN5023*	24	616	50	616	1500	2000	144	38	25

Venture Egress Easy-Clean Side Hung**

Lo-Stack	Hi-Stack	Hinge Size (")	Hinge Size (mm)	Max Sash Weight (kg)	Min Sash Width (mm)	Max Sash Width (mm)	Max Sash Height (mm)	Initial Hinge Projection (mm)	Easy Clean Projection (mm)	Opening Angle (+/-2.5°)
TN5032	TN5033	12	321	18	321	600	1400	42	121	80
TN5012	TN5029	16	443	21	443	650	1600	48	240	85

Bottom Hinge Packer 6-7 degrees

Product Code	Length (mm)
TY212	305
TY216	408

Venture additional arm (used to provide additional friction and limit window opening)

Product Code	Arm Length (")	Arm Length (mm)	Box Quantity (Pairs)
TN5030	10 nominal	270	25

Tenure Hinge Guard (4 of required for window)

Product Code	Stack Height (mm)	Box Quantity
TN5034 (1 Hinge Guard)	Lo-Stack	100
TN5035 (1 Hinge Guard)	Hi-Stack	100

All operating parameters are indicative and will vary according to window profile design and operating characteristics. Larger hinges may require an additional arm to achieve maximum performance.

* Window restricted to 15° to pass clause 5.2.2 "Racking Class 3" when tested in accordance with BS 6375-2:2009

** Compliance to Approved Document 'B' is the window manufacturer's responsibility

Manufactured from

Ferritic stainless steel

Performance

Tested to 25,000 cycles (hinge only)

More information

enquiries@titon.co.uk / 01206 713801

